

IP23 Covers

EG43 Varnish

An American Company

We produce our products in our 200,000ft² facility located in Le Center, Minnesota, equipped with modern engineering, fabrication and assembly capabilities.

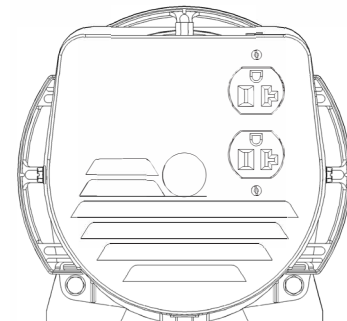
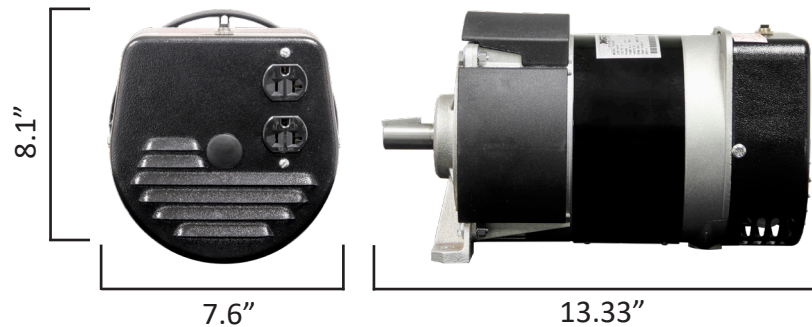


Specifications

WATTS	2400
AMPS	20
VOLTS	120
ROTOR SPEED	3600 RPM
MOTOR STARTING	1 HP
BRUSHLESS	YES
SHAFT DIAMETER	0.874"
SHAFT KEY WAY	.1874" x 1.406"
CIRCUIT BREAKER	20 AMP
120 V RECEPTACLES	(1) NEMA 5-20R DUPLEX
WATER RESISTANCE	IP23 COVERS
INSULATION PROTECTION	EG43 VARNISH
CERTIFICATION	UL1004 LISTED
NET WEIGHT	33 LBS
SHIPPING DIMENSIONS	14" x 9" x 9"
SHIPPING WEIGHT	34 LBS
WARRANTY ⁽¹⁾	1 YR

NOTES (1) For more generator warranty, see operator's manual.

Receptacle Panel



Specifications are subject to change without notice.