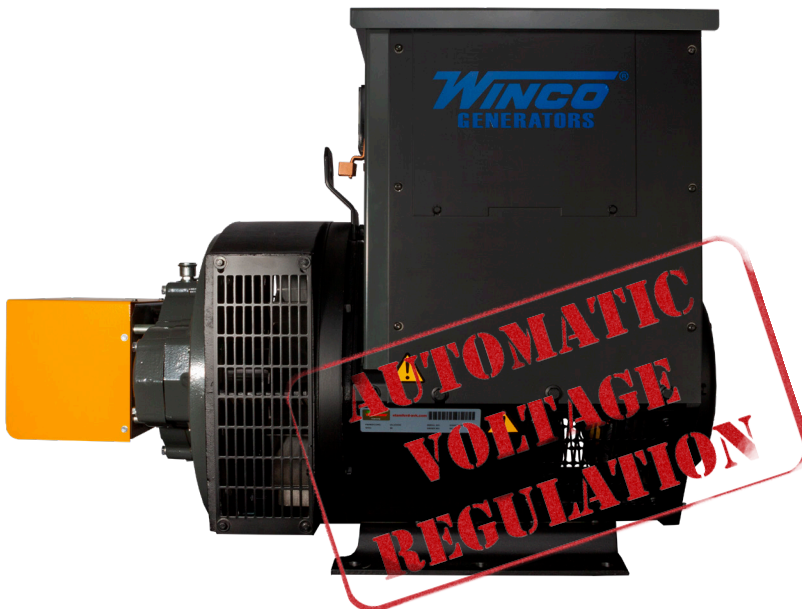


### Rugged Design

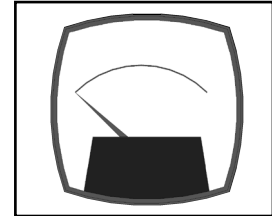
Our own WINCO gearcases have proven their strength and durability for over 60 years and will keep doing so into the future.



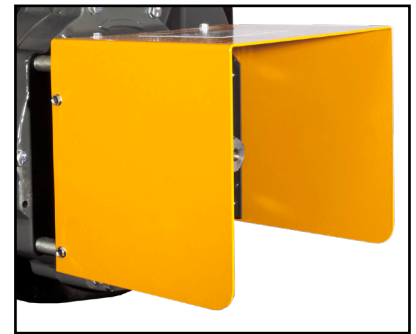
### Brushless Industrial Genend



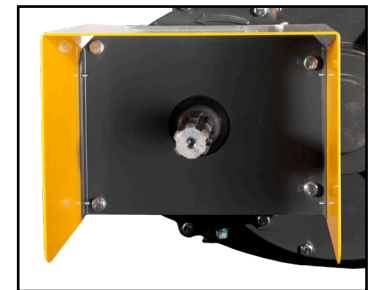
### Frequency Meter



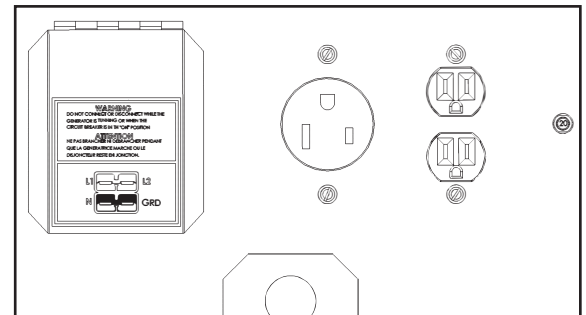
### PTO Shield



### 1 3/8" 6-Spline



### Receptacle Panel



## ELECTRICAL

MODEL NUMBER	VOLTS	STANDBY (150/40C)			CONTINUOUS (105/40C)			CIRCUIT BREAKER	MOTOR STARTING <sup>(1)</sup>
		WATTS	AMPS 1.0 PF	AMPS 0.8 PF	WATTS	AMPS 1.0 PF	AMPS 0.8PF		
50PTOC4-03	120/240 1-PH	50,000	208	N/A	40,000	166	N/A	200	20 HP
50PTOC4-04	120/208 3-PH	50,000	138	173	42,000	116	145	175	22.5 HP
50PTOC4-17	120/240 3-PH	50,000	120	150	42,000	101	126	175	22.5 HP
55PTOC4-18	277/480 3-PH	55,000	66	82	46,400	55	69	75	25 HP
55PTOC4-21	346/600 3-PH	55,000	52	66	46,400	44	55	75	25 HP

NOTES: (1) Code G capacitor motor.

## 50PTOC4

PTO INPUT SPEED	540 RPM
INPUT SHAFT SIZE	1 3/8" 6-SPLINE
REQUIRED INPUT HP(1)	
50PTOC4-03	100
50PTOC4-04	100
50PTOC4-17	100
55PTOC4-18	110
55PTOC4-21	110
FREQUENCY METER	STANDARD
NEUTRAL BONDED	YES
GROUND LUG	YES
GEARCASE OIL	SAE 85W-90-140 - 1 PINT

(1) Required HP at PTO of tractor for full rated power. Each 2 HP equals approximately 1kW of electric power.

## SHIPPING

SHIPPING DIMENSIONS (L x W x H)	44" x 28" x 29"
SHIPPING WEIGHT	745 LBS
FREIGHT CLASS	65

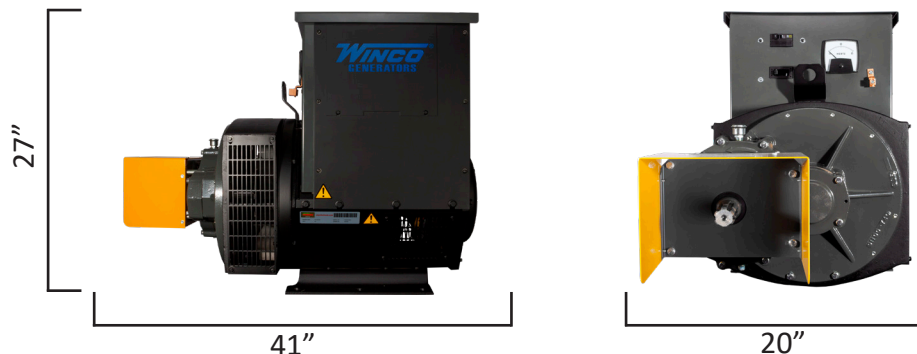
## OPTIONAL ACCESSORIES

PTO TRAILER	WITH PNEUMATIC TIRES
PTO DRIVE SHAFT	1 3/8" X 1 3/8" 6-SPLINE
THREE POINT-HITCH KIT	CATEGORY 2
GEARCASE UPGRADE	1000 RPM
TRANSFER SWITCH	MANUAL

## GENSET

SINGLE PHASE <sup>(1)</sup>	4 LEAD
WINDING NUMBER	06
THREE PHASE	12 LEAD
WINDING NUMBER	311
AVR	AS440
VOLTAGE REGULATION	+/- 1%
TOTAL HARMONIC DISTORTION	< 5%
GENERATOR SPEED	1800 RPM
STATOR WINDING	
SINGLE PHASE	SINGLE LAYER CONCENTRIC
THREE PHASE	DOUBLE LAYER CONCENTRIC
ROTOR	2/3 PITCH
BEARING	SINGLE (MAINTENANCE FREE)
TELEPHONE INTERFERENCE	
SINGLE PHASE	TIF < 50
THREE PHASE	TIF < 50
INSULATION	CLASS H
PROTECTION	IP23
120 VOLT RECEPTACLES <sup>(2)</sup>	(2) NEMA 5-20 20A
240 VOLT RECEPTACLES <sup>(2)</sup>	(1) NEMA 6-50 50A
FULL POWER ANDERSON RECEPTACLE	350 AMPS
FULL POWER ANDERSON PLUG	INCLUDED
UNIT WARRANTY <sup>(3)</sup>	3 YEARS

NOTES: (1) Unity (1.0) power factor (2) 480V and 600V have Anderson receptacles only. (3) For more generator warranty, see operator's manual.



Specifications are subject to change without notice.

225 S. Cordova Ave Le Center MN • 1-800-733-2112  
www.wincogen.com