



INSTALLATION VERIFICATION

Safety Tips

- This generator set is intended for outdoor use only; it must never be installed indoors.
- These instructions are generic. Be sure to follow all state and local codes and regulations.
- Always install this generator set’s service regulator above the expected snow line.
- Do not modify this generator set.

General Items Checklist

	Generator set output is sufficient to handle maximum anticipated load.
	Proper clearance is provided around the entire generator set for service and ventilation: <ul style="list-style-type: none"> • All parts of the generator set enclosure must be at least 1524 mm (60 inches) from any openings in walls of structures that may be occupied. Examples of wall openings include but are not limited to: operable windows, doors, dryer vents, fresh air intake for heaters, etc. • The engine side and alternator side of the generator set must be located as follows: <ul style="list-style-type: none"> ○ One side (either engine or alternator) must be located not less than 458 mm (18 inches) from any structures having combustible walls. This space must be free of any obstructions for service access. ○ The opposite side must be located not less than 1524 mm (60 inches) from any structures having combustible walls. A minimum of 458 mm (18 inches) of unobstructed space is required for service access. • The intake (cooling air inlet) side of the generator set must be located not less than 762 mm (30 inches) from any structures having combustible walls. This space must be free of obstructions to air flow and service access. • The generator set must be located such that exhaust gases are not able to accumulate in an occupied area. The air discharge side must always be unobstructed and spaced a minimum of 1524 mm (60 inches) from any structures having combustible walls. A minimum of 915 mm (36 inches) must be free of any combustible items, and unobstructed for service access. • Locate and position the generator set so that prevailing winds carry exhaust gases and potential fuel leaks away from the house or occupied area.
	The generator set is located in an area not subject to flooding.
	All operating personnel have read and are familiar with the generator set operator manual, all health and safety procedures, and all other documentation supplied with the generator set.
	All operators have been thoroughly briefed on preventive maintenance procedures.
	Proper clearance to openings in nearby structures is provided. Clearance around and over the generator set is provided for operation, service and maintenance.

GENERATOR SET PAD

Generator Set Pad Requirements

1. Level the ground, and make sure that the subgrade is compacted and settled. Local soil condition may dictate the need for addition of sub-base and base material layers above the subgrade. Consult with your local building officials for requirements and recommendations for your area.
2. Either pour a concrete slab or set a prefabricated pad on the prepared surface.
 - The concrete slab should be constructed of concrete with a 28-day compressive strength of at least 17,200 kPa (2500 psi). (Typical bagged concrete mix meets this requirement.)
 - The slab should be a minimum of 76.2 mm (3 inches) thick.
 - The slab should be at least 50.8 mm (2 inches) larger in length and width than the generator set base.
3. Place the generator set on the pad and secure it to the mounting surface using the mounting spacers (provided) and appropriate fasteners. See the generator set installation manual for more information.

Additional Information

If you have any questions regarding the installation, contact your nearest authorized Cummins distributor or dealer. For additional information, refer to the A062J678 Installation Manual. For more information on Cummins products and services, go to power.cummins.com.

Generator Set Mounting Pad Checklist

	The earth on which the generator set mounting pad rests is strong enough and will not allow shifting or movement. Observe local codes on soil bearing capacity.
	The generator set is properly supported and attached to an approved base.
	The supporting base is non-combustible and is at least as large as the generator set base.
	The generator set is located to comply with applicable codes and standards.

Generator Set Size (All Models)

Dimension	mm	in
L x W x H	865 x 915 x 694	34.1 x 36 x 27.3

Note: Refer to the installation manual for stub-up locating dimensions.

Generator Set Weight (Including Battery)

Models	kg	lbs
C13N6H	218	479
C17N6H, C20N6H	241	531

Generator Set Support Checklist

	The floor, roof or earth on which the generator set rests is strong enough and will not allow shifting or movement. Local codes for soil bearing capacity were followed.
	The generator set is properly supported and secured to an approved base.
	The supporting base is of non-combustible material and extends 2 inches (50.8 mm) all around the generator set.

FUEL

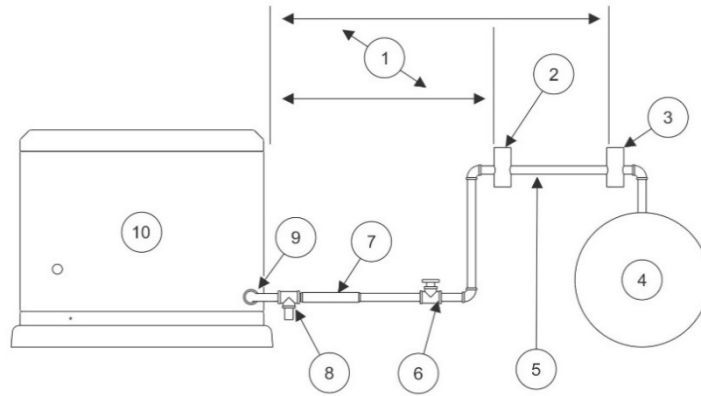
Note: Incorrect fuel line sizing and regulation are the most common reasons that generator sets do not perform as designed. Refer to installation manual for instructions on properly sizing the generator set fuel line.

Typical System Components

Natural Gas

No.	Description	No.	Description
1	Distance as Required by Code and/or Component Suppliers	6	Full Flow Manual Shutoff Valve
2	Primary Service Pressure Regulator	7	Secondary Service Pressure Regulator (if Required)
3	Natural Gas Supply	8	Flexible Fuel Line
4	Gas Meter	9	Sediment Trap
5	Note: A branch in the fuel line to the generator set may allow selection of a smaller diameter line size to the generator set and remainder of gas appliances.	10	Fuel Line Connection at Generator Set
		11	Generator Set

Propane Vapor



No.	Description	No.	Description
1	Distance as Required by Code and/or Component Suppliers	6	Full Flow Manual Shutoff Valve
2	Secondary Service Pressure Regulator	7	Flexible Fuel Line
3	Primary Service Pressure Regulator	8	Sediment Trap
4	Liquid Propane Fuel Tank	9	Fuel Line Connection at Generator Set
5	Note: A branch in the fuel line to the generator set may allow selection of a smaller diameter line size to the generator set	10	Generator Set

Selecting the Fuel Type

Note: This generator set can run on either natural gas or propane vapor fuel. All generator sets come from the factory adjusted to run on natural gas. To run on propane fuel:

- From the display, navigate to the **Fuel Type** field under Generator Config, and use an arrow to select "LP".
Note: Do not change the number in the Config field.
- Change the manual fuel selection valve to LP.

Generator Config Menu

Manual Fuel Selection Valve (exhaust panel removed)
Remove two access cover screws to gain access to valve.
(See *Installation Manual* (A062J678) for how to set valve.)

Fuel Consumption Specifications (at Full Load)

Type	C13N6H		C17N6H		C20N6H, C20N6HC		Fuel Pressure	
	scfh	BTU/hr	scfh	BTU/hr	scfh	BTU/hr	kPa	inch water column
Natural Gas	217	217,200	246	246,000	256	255,900	0.9 - 3.0	3.5 - 12
Propane	85	213,100	100	250,700	108	270,100	1.5 - 3.0	6 - 12

Note: Maximum pressure for either fuel under any condition: 3.2 kPa (13 inch water column)

Natural Gas and LP Vapor Fuel System Checklist

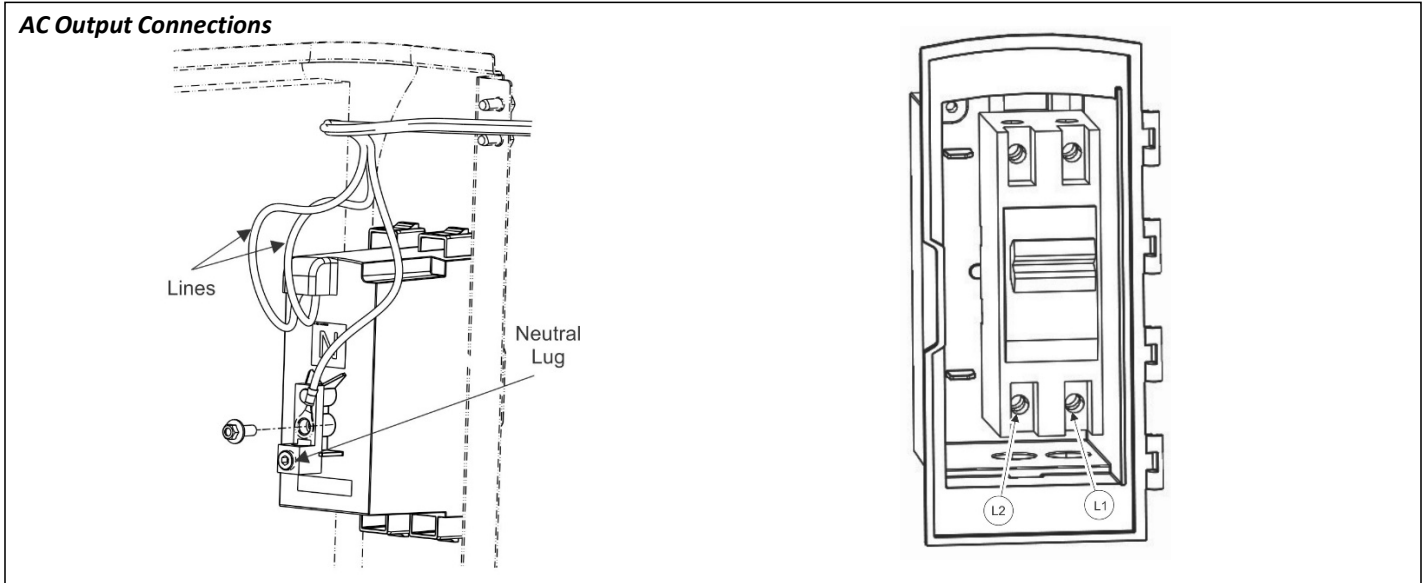
Verify that the generator set is configured to the fuel being used. (See the generator set installation manual.)
Verify that the fuel line has proper volume capability.
Verify that the fuel pressure is correct: <ul style="list-style-type: none"> Natural gas: 0.9 - 3.0 kPa (3.5 - 12 in water column) Propane: 1.5 - 3.0 kPa (6 - 12 in water column)
Verify the fuel pressure at the generator set connection does not drop below the range listed above during startup and full load operation and does not exceed 3.2 kPa (13 in water column).
Verify that all fuel connections are tight.

	Verify there are no gas leaks in the fuel system.
	All electrical and fuel lines are properly separated.
	An approved flexible fuel line is properly installed between the generator set fuel inlet connection and the fuel supply line.

ELECTRICAL

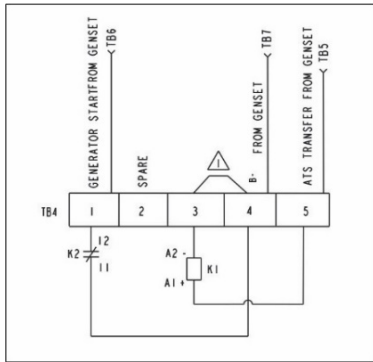
Note: For most applications, three DC control wires (customer-supplied) will be adequate to start and stop a generator. Additional DC control wires will be required if there are accessories, such as a remote display, etc.

Customer Connections

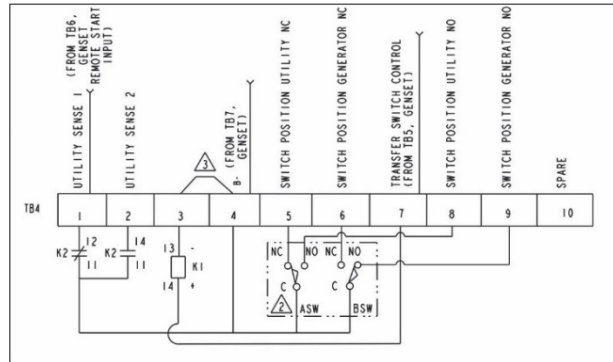


DC Controls (Interconnects)

RA Series Transfer Switch (RA112L1)



RA Series Transfer Switch (100/100SE/200/200SE/400/400SE)



Note: The transfer switch TB4 jumper must be installed in the RA series transfer switch between TB4-3 and TB4-4 according to the interconnect diagram in the RA series transfer switch owner manual. (Both the jumper and the diagram are supplied with the generator set.)

DC System Specifications

(All Models)

Nominal Battery Voltage	12 VDC
Battery Group	51 R
Battery Type	Lead acid
Min. Cold Crank Amps	450

AC and DC Wiring Checklist

Wire sizes, insulation, conduits and connection methods all meet applicable codes.
All load, line and generator connections are well-made and correct.
Flexible conduit is used between the generator set and the building or surrounding structure.
A transfer switch has been installed properly to prevent connecting the generator set to the utility.
Verify that 120 VAC power has been provided to the power battery charger and other AC accessories on the generator set.

STARTUP

Generator Set Pre-Start Checklist

	The generator set engine is properly serviced with oil.
	All generator set and ATS covers and safety shields are installed correctly.
	All fuel shutoff valves are operational and in the open position.
	The installation meets all applicable local, state, and federal codes.

Setting the Date, Time and Exercise Mode

1. From the Main screen of the local display, select **Menu**.
2. Use the arrow keys to highlight **Clock**. Select the **ENTER** key.
3. Use the arrow and **NEXT** keys to set the date and time.
4. Follow the Exercise menu to set up the exercise mode. See the installation manual for more information.
Note: Crank exercise is enabled as a default. During every other exercise cycle the generator will not start. See the Installation manual to disable.

Setting the Remote and Standby Modes

Enable/Disable Remote or Standby (Local Display)	Enable/Disable Standby (Remote Display)
<ol style="list-style-type: none"> 1. From any screen, select the Mode key to get to the Mode screen. 2. Use the arrow keys to enable or disable the Remote mode. Select the Next key to go to the next screen. 3. Use the arrow keys to enable or disable the Standby mode. 4. Whenever Standby is enabled, the Remote mode will also automatically be enabled. 5. Keep pressing the Back button to save the settings and return to the Main screen. 	<ol style="list-style-type: none"> 1. From any screen, select the Mode key to get to the Mode screen. 2. Use the arrow keys to enable or disable the Standby mode. (Local display needs to be in remote to enable or disable Standby.) 3. Keep pressing the Back button to save the settings and return to the Main screen.

Control Checklist

	Verify that the display has been configured to "local", and that the clock, exerciser and correct fuel type are set.
--	--

Manual Starting and Stopping

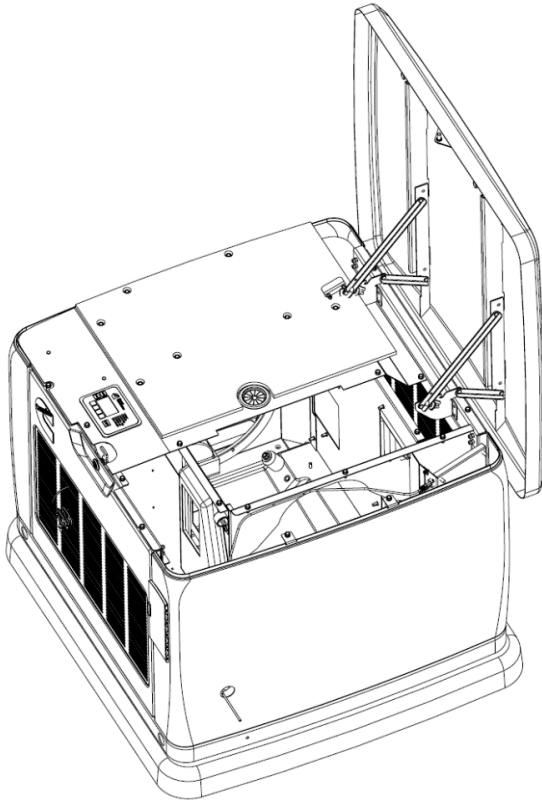
Action	Manual Start (Local)	Manual Start (Remote)
<i>Start</i>	<ol style="list-style-type: none"> 1. From the Main screen, select the START key. 2. A second screen appears notifying the operator that Standby will be disabled. Select the START key again to start the generator set. 3. After the generator set reaches rated voltage and frequency, the transfer switch transfers the building load to the generator set. The building's electrical power is now provided by the generator set. 	Remote mode must be enabled on the local display to allow manual start and stop from the Remote display. The manual start and stop sequences are the same for the Remote display and the Local display.
<i>Stop</i>	Press the red STOP button on the local display. The generator set will stop immediately and the building load will be transferred to the utility. Note: For normal operation to resume, Standby will need to be enabled.	

Note: Press the generator set's red **STOP** button on the local display to stop the generator set, which will disable both Remote and Standby Modes.

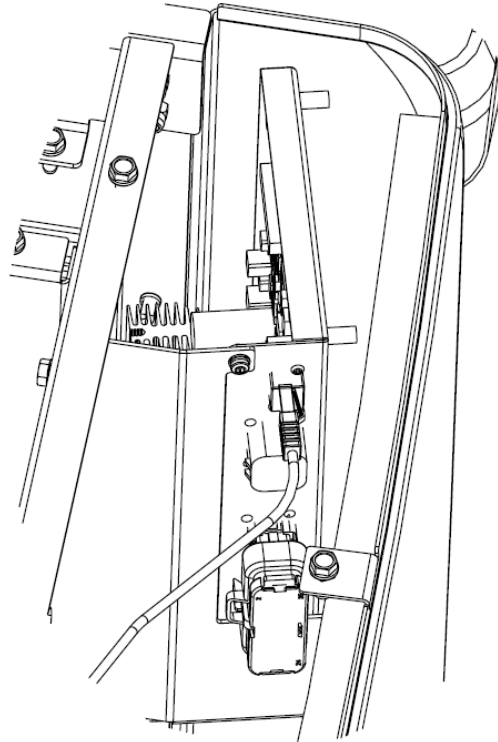
OPTIONAL REMOTE MONITORING SYSTEM (RMS) ACCOUNT SETUP AND GENERATOR SET CONTROL CONNECTION

1. Prior to setting up the new customer account, make sure that the generator set control is connected to the Internet via an Ethernet cable between the generator set control and the home's router.
2. To access the generator set control, open the generator cover and remove the right side control access panel.
3. Route the Ethernet cable into the generator set through the right side of the enclosure. Then route and secure the Ethernet cable above the intake manifold along with the other customer wiring connections.

Ethernet Cable Routing



Ethernet Port on Generator Control



4. The Ethernet cable needs to be rated for 300V if it is routed through the same conduit as the AC load cables.
5. From a computer device, access the Cummins ConnectCloud website by navigating to <https://connectcloud.cummins.com>.
6. Click on the **Register** button to start the registration process.
7. Follow the on-screen prompts to register your account and add your generator.

Note: Cummins Connect Cloud Android and iPhone cellular apps are also available.

Note: Communications on the network must be open to 168.61.54.255 on port 8884 and 40.114.00.153.