

Cummins **Onan**



Operator Manual

Commercial Mobile Generator Set

HGJAD (Spec J-K)
HGJAE (Spec J-L)

California

Proposition 65 Warning

The engine exhaust from this product contains chemicals known to the State of California to cause cancer, birth defects, or other reproductive harm.

Table of Contents

| | |
|--|----|
| 1. IMPORTANT SAFETY INSTRUCTIONS | 1 |
| 1.1 Overview | 1 |
| 1.2 Warning, Caution, and Note Styles Used in This Manual | 1 |
| 1.3 General Safety Precautions | 1 |
| 1.4 Automatic Generator Start Control Hazards | 3 |
| 1.5 Electrical Shock and Arc Flash Can Cause Severe Personal Injury or Death | 3 |
| 1.6 Generator Voltage Is Deadly | 3 |
| 1.7 Engine Exhaust/Carbon Monoxide Is Deadly | 4 |
| 1.8 Fuel Is Flammable and Explosive | 5 |
| 1.9 Battery Gas Is Explosive | 5 |
| 1.10 Moving Parts Can Cause Severe Personal Injury or Death | 5 |
| 1.11 CARB | 6 |
| 1.12 Generator Set Warning Labels | 6 |
| 2. INTRODUCTION | 9 |
| 2.1 About this Manual | 9 |
| 2.2 Related Literature | 9 |
| 2.3 Model Identification | 10 |
| 2.3.1 Nameplate Location | 10 |
| 2.4 How to Obtain Service | 10 |
| 2.4.1 In North America | 10 |
| 2.4.2 Outside North America | 11 |
| 2.4.3 Information To Have Available | 11 |
| 3. OVERVIEW | 13 |
| 3.1 Electromagnetic Compatibility Compliance | 13 |
| 3.2 Information for Generator Set Users (Spark-Ignited Exhaust Emissions) | 13 |
| 3.3 Build Standards | 14 |
| 3.4 Specifications | 15 |
| 3.4.1 Gasoline Model Specifications | 15 |
| 3.4.2 LPG Model Specifications | 16 |
| 3.5 List of Acronyms | 18 |
| 4. OPERATION | 21 |
| 4.1 Key Component Locations | 21 |
| 4.2 Control Panel | 23 |
| 4.2.1 Generator Set Control Panel | 23 |
| 4.2.2 Remote Control Panel | 23 |
| 4.3 Starting and Stopping the Generator Set | 25 |
| 4.3.1 Pre-start Checks | 25 |
| 4.3.2 Priming the Fuel System | 25 |
| 4.3.3 Starting the Generator Set | 26 |
| 4.3.4 Stopping the Generator Set | 26 |

| | |
|---|----|
| 4.4 Loading the Generator Set | 26 |
| 4.4.1 Power Versus Altitude..... | 28 |
| 4.5 Exercising the Generator Set..... | 28 |
| 4.6 Resetting Line Circuit Breakers | 28 |
| 4.7 Connecting Shore Power | 30 |
| 4.8 Operating in Weather Extremes | 30 |
| 4.9 Operating in Dusty Environments | 30 |
| 4.10 Care of New or Rebuilt Engine | 30 |
| 5. MAINTENANCE | 31 |
| 5.1 Periodic Maintenance | 31 |
| 5.1.1 Periodic Maintenance Schedule | 31 |
| 5.2 Consumable Parts | 32 |
| 5.3 General Inspection..... | 32 |
| 5.4 Maintaining the Battery | 32 |
| 5.5 Maintaining the Lubrication System..... | 33 |
| 5.5.1 Oil Level | 33 |
| 5.5.2 Engine Oil Recommendations | 34 |
| 5.5.3 Changing Engine Oil and Oil Filter | 34 |
| 5.6 Maintaining the Fuel System | 36 |
| 5.6.1 Fuel System | 36 |
| 5.6.2 Fuel Recommendations | 36 |
| 5.6.3 Replacing the Fuel Filter | 37 |
| 5.7 Exhaust System | 38 |
| 5.8 Mechanical System..... | 39 |
| 5.9 Replacing the Air Filter Element | 39 |
| 5.10 Replacing the Spark Plug(s) | 40 |
| 5.11 Cleaning the Spark Arrester | 41 |
| 5.12 Storing the Generator Set..... | 42 |
| 5.12.1 Carburetor Float Bowl Drain Valve | 45 |
| 5.13 Returning the Generator Set to Service | 46 |
| 6. TROUBLESHOOTING | 47 |
| 6.1 Overview..... | 47 |
| 6.2 Fault Codes..... | 47 |
| 6.2.1 Code 2 - Low Oil Pressure..... | 48 |
| 6.2.2 Code 3 - Service Check | 48 |
| 6.2.3 Code 4 - Over Crank..... | 48 |
| 6.2.4 Code 12 - Over Voltage | 49 |
| 6.2.5 Code 13 - Under Voltage | 49 |
| 6.2.6 Code 14 - Over Frequency | 49 |
| 6.2.7 Code 15 - Under Frequency | 49 |
| 6.2.8 Code 19 - Governor Actuator..... | 49 |
| 6.2.9 Code 22 - Governor Actuator Overload | 50 |
| 6.2.10 Code 23 - Low Oil Pressure Cutoff Switch | 50 |
| 6.2.11 Code 27 - Voltage Sense..... | 50 |
| 6.2.12 Code 29 - High Battery Voltage | 50 |

| | |
|--|----|
| 6.2.13 Code 31 - Over Speed..... | 50 |
| 6.2.14 Code 32 - Low Cranking Speed..... | 50 |
| 6.2.15 Code 35 - Control Card Failure..... | 51 |
| 6.2.16 Code 36 - Engine Stopped | 51 |
| 6.2.17 Code 37 - Invalid Generator Set Configuration..... | 52 |
| 6.2.18 Code 38 - Over Current (Field Overload) | 52 |
| 6.2.19 Code 41 - Generator Rotor | 52 |
| 6.2.20 Code 42 - Processor | 52 |
| 6.2.21 Code 43 - Processor | 52 |
| 6.2.22 Code 45 - Speed Sense | 52 |
| 6.2.23 Code 47 - Ignition..... | 52 |
| 6.2.24 Code 48 - Generator Field Sense..... | 52 |
| 6.2.25 Code 51 - Processor | 53 |
| 6.2.26 Code 52 - Fuel Injector | 53 |
| 6.2.27 Code 54 - MAT Sender | 53 |
| 6.2.28 Code 56 - MAP Sender..... | 53 |
| 6.2.29 Code 57 - Over Prime..... | 53 |
| 6.2.30 Code 58 - Exhaust Gas Temperature Shutdown..... | 53 |
| 6.2.31 Code 81 - Exhaust Gas Temperature Sensor Open | 53 |
| 6.2.32 Code 82 - Exhaust Gas Temperature Sensor Shorted..... | 53 |
| 6.3 Symptom Based..... | 54 |
| 6.3.1 Status Indicator Not Working | 54 |
| 6.3.2 Starting Batteries Run Down..... | 54 |
| 6.3.3 Starter Engages-Disengages..... | 54 |
| 6.3.4 No Power—Generator Set Running, Status Light On..... | 55 |
| 7. MAINTENANCE RECORD..... | 57 |

This page is intentionally blank.

1 Important Safety Instructions

1.1 Overview

Thoroughly read the Operator Manual before operating the generator set. It contains important instructions that should be followed during operation and maintenance. Safe operation and top performance can only be achieved when equipment is properly operated and maintained. The owners and operators of the generator set are solely responsible for its safe operation.


Generator set operation, maintenance, and installation must comply with all applicable local, state, and federal codes and regulations. Electricity, fuel, exhaust, moving parts, and batteries present hazards which can result in severe personal injury or death. Only trained and experienced personnel with knowledge of fuels, electricity, and machinery hazards should perform generator set installation or adjustment procedures; or remove, dismantle, or dispose of the generator set.

1.2 Warning, Caution, and Note Styles Used in This Manual

The following safety styles and symbols found throughout this manual indicate potentially hazardous conditions to the operator, service personnel, or equipment.

| |
|--|
|  DANGER |
| <i>Indicates a hazardous situation that, if not avoided, will result in death or serious injury.</i> |

| |
|---|
|  WARNING |
| <i>Indicates a hazardous situation that, if not avoided, could result in death or serious injury.</i> |

| |
|--|
|  CAUTION |
| <i>Indicates a hazardous situation that, if not avoided, could result in minor or moderate injury.</i> |

| |
|--|
| NOTICE |
| Indicates information considered important, but not hazard-related (e.g., messages relating to property damage). |

1.3 General Safety Precautions

| |
|---|
|  WARNING |
| <i>Operation of equipment is unsafe when mentally or physically fatigued. Do not operate equipment in this condition, or after consuming any alcohol or drug.</i> |

⚠ WARNING

Maintaining or installing a generator set can cause severe personal injury. Wear personal protective equipment such as safety glasses, protective gloves, hard hats, steel-toed boots, and protective clothing when working on equipment.

⚠ WARNING

Running the generator set without the cover or service door can cause severe personal injury or equipment damage. Do not operate the generator set with the cover or service doors removed.

⚠ WARNING

Starting fluids, such as ether, can cause explosion and generator set engine damage. Do not use.

⚠ WARNING

Benzene, found in some fuels, has been identified by some state and federal agencies to cause cancer or reproductive toxicity. Do not ingest, breathe the fumes, or contact gasoline when checking, draining, or adding gasoline.

⚠ WARNING

Used engine oils have been identified by some state and federal agencies to cause cancer or reproductive toxicity. Do not ingest, breathe the fumes, or contact used oil when checking or changing engine oil.

⚠ CAUTION

To prevent accidental or remote starting while working on the generator set, disconnect the negative (-) battery cable at the battery using an insulated wrench.

⚠ CAUTION

Unsecured or loose fasteners can cause equipment damage. Make sure all fasteners are secure and properly torqued.

⚠ CAUTION

Oily rags and other material can cause fire and restrict cooling. Keep the generator set, drip pan, and compartment clean.

⚠ CAUTION

Accumulated grease and oil can cause overheating and engine damage presenting a potential fire hazard. Keep the generator set clean and repair any oil leaks promptly.

NOTICE

Keep multi-class ABC fire extinguishers handy. Class A fires involve ordinary combustible materials such as wood and cloth. Class B fires involve combustible and flammable liquid fuels and gaseous fuels. Class C fires involve live electrical equipment. (Refer to NFPA No. 10 in applicable region.)

1.4 Automatic Generator Start Control Hazards

WARNING

Accidental starting can cause severe personal injury or death. Turn off the AGS whenever performing maintenance or service, when the vehicle is stored between uses, is awaiting service, or is parked in a garage or other confined area.

Unexpected starting may occur if the generator set is equipped with an inverter-charger or other Automatic Generator Start (AGS) control. This may cause exposure to:

- Unexpected generator starting
- Moving parts hazards
- Electric shock
- Exhaust carbon monoxide (CO)

1.5 Electrical Shock and Arc Flash Can Cause Severe Personal Injury or Death

WARNING

Electrical shocks and arc flashes can cause severe personal injury or death. Adhere to the following guidelines:

- ***Only qualified service personnel certified and authorized to work on power circuits should work on exposed energized power circuits.***
- ***All relevant service material must be available for any electrical work performed by certified service personnel.***
- ***Exposure to energized power circuits with potentials of 50 VAC or 75 VDC or higher poses a significant risk of electrical shock and electrical arc flash.***
- ***Refer to standard NFPA 70E, or equivalent safety standards in corresponding regions, for details of the dangers involved and for safety requirements.***

1.6 Generator Voltage Is Deadly

WARNING

Improperly connected generator electrical output connections can cause equipment damage, severe personal injury, or death. Electrical connections must be made by a trained and experienced electrician in accordance with applicable codes.

WARNING

Improper installations can cause equipment damage, severe personal injury, or death. All installations must be conducted by trained and experienced personnel in accordance with the installation instructions and all applicable codes.

⚠ WARNING

Back feed to shore power can cause electrocution and damage to equipment. The generator set must not be connected to shore power or to any other source of electrical power. An approved switching device must be used to prevent interconnections.

⚠ WARNING

Live electrical equipment can cause electrocution. Use caution when working on live electrical equipment. Remove jewelry, make sure clothing and shoes are dry, stand on a dry wooden platform or rubber insulating mat, and use tools with insulated handles.

1.7 Engine Exhaust/Carbon Monoxide Is Deadly

⚠ WARNING

Substances in exhaust gases have been identified by some state and federal agencies to cause cancer or reproductive toxicity. Do not breathe in or come into contact with exhaust gases.

⚠ WARNING

Carbon monoxide is a poisonous gas. Inhalation of this gas can cause severe personal injury or death. Adhere to the following bullet points to make sure carbon monoxide is not being inhaled by occupants of the vehicle as well as others working on or around the generator set.

- ***Inspect for exhaust leaks, and test and confirm that all carbon monoxide detectors are working in accordance with the manufacturer's instructions or owner's manual, prior to every startup, and after every 8 hours of running.***
- ***Never occupy the vehicle while the generator set is running unless the vehicle is equipped with a working carbon monoxide detector.***
- ***Never operate the generator set when the vehicle is in a confined space, such as a garage, basement, or building of any kind.***
- ***Make sure the exhaust system is installed in accordance with the generator set installation manual.***
- ***Never use engine cooling air for heating a working or living space compartment.***

Carbon Monoxide (CO) is odorless, colorless, tasteless, and non-irritating. It cannot be seen or smelled. Exposure, even to low levels of CO for a prolonged period can lead to asphyxiation (lack of oxygen).

Mild effects of CO poisoning include:

- headache
- dizziness
- drowsiness
- fatigue
- chest pain
- confusion

More extreme symptoms include:

- vomiting
- seizure

- loss of consciousness

1.8 Fuel Is Flammable and Explosive

WARNING

Fuel and fuel vapor is highly explosive. Adhere to the following bullets to avoid igniting fuel and fuel vapors.

- *Do not smoke or turn electrical switches on or off where fuel fumes are present or in areas sharing ventilation with fuel tanks or equipment.*
- *Keep flame, sparks, pilot lights, arc-producing equipment and all other sources of ignition well away from fuel lines and sources.*
- *Fuel lines must be secured, free of leaks, and separated or shielded from electrical wiring.*

Leaks can lead to explosive accumulations of gas.

- LPG sinks when released and can accumulate inside housings and basements and other below-grade spaces.

NOTICE

Natural gas is identifiable by a rotten egg smell.

1.9 Battery Gas Is Explosive

WARNING

Battery gas is highly explosive and may cause personal injury or death if ignited. Take the proper precautions to avoid personal injury.

- *For personal safety, wear appropriate PPE when working on or around the generator set.*
- *To make sure battery gas is not ignited, do not smoke around the generator set.*
- *To reduce arcing when disconnecting or reconnecting battery cables, always disconnect the negative (-) battery cable first and reconnect it last.*

1.10 Moving Parts Can Cause Severe Personal Injury or Death

WARNING

Moving parts can cause severe personal injury or death, and hot exhaust parts can cause severe burns. Make sure all protective guards are properly in place before starting the generator set.

WARNING

Hot moving, and electrically live parts can cause severe personal injury or death. Keep children away from the generator set.

⚠ WARNING

Hot, moving, and electrically live parts can cause severe personal injury or death. Only trained and experienced personnel should make adjustments while the generator set is running.

⚠ WARNING

Moving parts can catch on loose items such as clothing or jewelry. Do not wear loose clothing or jewelry near moving parts such as PTO (power take-off) shafts, fans, belts, and pulleys.

⚠ WARNING

Moving parts can entangle appendages such as fingers. Keep the protective guards in place over fans, belts, pulleys, and other moving parts and keep hands away from all moving parts.

1.11 CARB




⚠ CAUTION


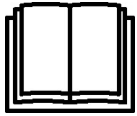






Unauthorized modifications or replacement of fuel, exhaust, air intake, or speed control system components that affect engine emissions are prohibited by law in the state of California.

The California Air Resources Board (CARB) has requirements regarding modification & repair of fuel system & exhaust components including, but not limited to, adherence to evaporative emissions requirements in mobile installations. Evaporative generator sets must be used in trailers, fifth wheel trailers, and other non-motorized vehicles where on-board gasoline fuel storage is self-contained in the trailer equipment. Completing the installation of the generator set fuel evaporative system provides compliance with the California code of regulations for small off-road equipment effective January 1, 2008 and Federal Small SI regulation effective January 1, 2011. Any questions regarding the installation or evaporative emission certification should be directed to Cummins Power Generation for clarification.

1.12 Generator Set Warning Labels

Warning signs are provided on the generator set at or near the point of risk. To avoid injury, always take the necessary precautions as indicated on the sample signs shown below.

| | |
|---|---|
|  | Caution or Warning. Indicates a risk of personal injury. |
|  | Caution or Warning of Temperature Hazard. Indicates a risk of personal injury from high temperature. |
|  | Caution or Warning of High Voltage Hazard. Indicates a risk of personal injury from electric shock or electrocution. |

| | |
|---|--|
|  | <p>Caution or Warning of Engine Coolant Pressure Hazard. Indicates a risk of personal injury from hot pressurized engine coolant.</p> |
|  | <p>Caution or Warning. Indicates to read Operator Manual for additional information.</p> |
|  | <p>Caution or Warning of No Step. Indicates a risk of personal injury or equipment damage from stepping on equipment.</p> |
|  | <p>Caution or Warning of Combustion or Explosion Hazard. Indicates a risk of personal injury from explosion.</p> |
|  | <p>Caution or Warning of Belt and Rotating Part Hazard. Indicates a risk of personal injury from entanglement in moving parts.</p> |
|  | <p>Caution or Warning of Chemical (ingestion or burn) Hazard. Indicates a risk of personal injury or asphyxiation from poisonous fumes or toxic gases.</p> |
|  | <p>Caution or Warning of High Voltage or Current Source Hazard. Indicates a risk of personal injury from electrical shock or electrocution.</p> |
|  | <p>Caution or Warning of Fan and Rotating Part Hazard. Indicates a risk of personal injury from entanglement in moving parts.</p> |

This page is intentionally blank.

2 Introduction

2.1 About this Manual

This is the Operator Manual for the generator set or sets listed on the front cover. Each operator should study this manual carefully and observe all of its instructions and safety precautions. Keep this manual readily available for reference.

The information contained within the manual is based on information available at the time of printing. In line with Cummins Power Generation policy of continuous development and improvement, information may change at any time without notice. The users should therefore make sure that before commencing any work, they have the latest information available. The latest version of this manual is available on QuickServe Online (<https://quickserve.cummins.com>).

The Operation, Maintenance, and Troubleshooting Chapters of this manual provide instructions necessary for operating the generator set and maintaining it at top performance. The owner is responsible for performing maintenance in accordance with the information provided in [Chapter 5 on page 31](#).

This manual also includes generator set specifications and information on how to obtain service, emissions regulation compliance, and model identification.

See the Parts Manual for part identification numbers and required quantities. Genuine Cummins Onan replacement parts are recommended for best results.

2.2 Related Literature

Before any attempt is made to operate the generator set, the operator should take time to read all of the manuals supplied with the generator set, and to familiarize themselves with the warnings and operating procedures.

CAUTION

A generator set must be operated and maintained properly if you are to expect safe and reliable operation. The Operator manual includes a maintenance schedule and a troubleshooting guide. The Health and Safety manual must be read in conjunction with this manual for the safe operation of the generator set:

- Health and Safety Manual (0908-0110)

The relevant manuals appropriate to your generator set are also available, the documents below are in English:

- Operator Manual for Commercial Mobile Generator Set HGJAD (Spec J-K) and HGJAE (Spec J-L) (A035D007)
- Installation Manual for Commercial Mobile Generator Set HGJAD (Spec J-K) and HGJAE (Spec J-L) (A035D003)
- Generator Set Service Manual for Commercial Mobile Generator Set HGJAD (Spec J) and HGJAE (Spec J-K) (A035D011)
- Recommended Spares List (RSL) for Commercial Mobile Generator Set HGJAD (Spec J-K) and HGJAE (Spec J-L) (A041X686)
- Parts Manual for Commercial Mobile Generator Set HGJAD (Spec J-K) and HGJAE (Spec J-L) (0983-0202)

- Standard Repair Times - AR Family (0900-0617)
- Service Tool Manual (A043D529)
- Failure Code Manual (F1115C)
- Warranty Manual (A040W374)
- Global Commercial Warranty Statement (A028U870)

2.3 Model Identification

Each generator set is provided with a nameplate that contains the model and serial numbers. This information is needed when contacting Cummins Onan for parts, service, and product information.

Every character of the model number is significant. The last character of the model number is the specification letter which is important for obtaining the correct parts.

Record the generator set model and serial numbers in the figure below to have them available if needed.

2.3.1 Nameplate Location

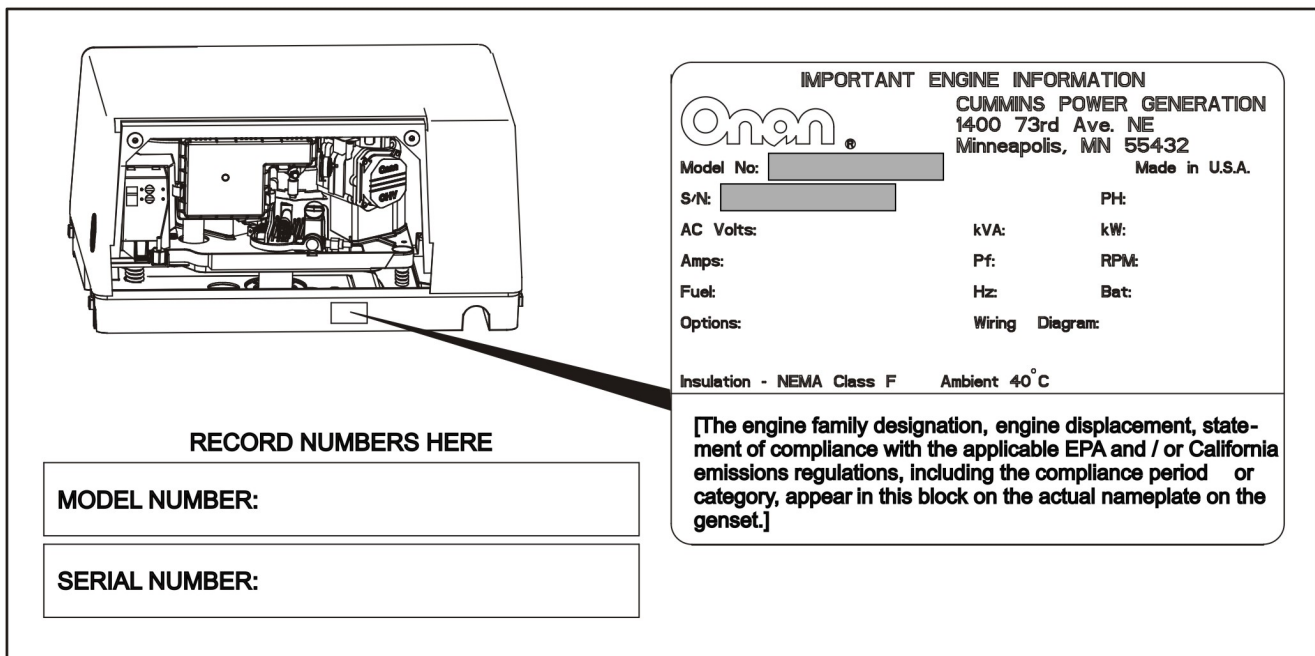


FIGURE 1. NAMEPLATE LOCATION

2.4 How to Obtain Service

For generator set parts, service, and literature, contact the nearest authorized Cummins Onan distributor. You may go to the Internet site www.power.cummins.com for information on contacting our distributors worldwide.

2.4.1 In North America

Call +1 800 8886626 for the nearest Cummins Onan distributor in the United States or Canada. Press 1 (option 1) to be automatically connected.

If you are unable to contact a distributor using the automated service, consult the Yellow Pages. Typically, our distributors are listed under: generators - electric.

2.4.2 Outside North America

If you are outside North America, refer to www.cumminspower.com and select Distributor Locator, or send an email to ask.powergen@cummins.com.

2.4.3 Information To Have Available

- model number
- serial number
- date of purchase
- nature of the problem (see [Chapter 6 on page 47](#))

This page is intentionally blank.

3 Overview

3.1 Electromagnetic Compatibility Compliance

Generator sets emit and receive electromagnetic (radio frequency) energy. If the generator set affects operation of nearby devices, or nearby devices affect generator set operation, increase the distance between them.

When used in countries where compliance to the EMC directive is required: This generator set has been evaluated for use in the residential, commercial, and light industrial environments.

3.2 Information for Generator Set Users (Spark-Ignited Exhaust Emissions)

This generator set meets the requirements of exhaust emissions standards for 50-state operation as stated on the nameplate.

As a user of this generator set, please be aware that unauthorized modifications or replacement of fuel, exhaust, air intake, or speed control system components that affect engine emissions are prohibited. Unauthorized modification, removal, or replacement of the generator set label is prohibited.

Carefully review Operator (Owner), Installation, and other manuals and information you receive with the generator set. If unsure that the installation, use, maintenance, or service of the generator set is authorized, seek assistance from an approved Cummins Onan dealer.

Generator set users may use the following table as an aid in locating information related to the requirements for emissions control.

TABLE 1. EMISSIONS CONTROL INFORMATION

| | |
|-------------------------------------|---|
| Generator Set Warranty Information | The EPA (Part Number A034R654) and California (Part Number A034R656) emissions control warranty statements are located in the same packet of information as this manual when the generator set is shipped from the factory. |
| Engine Valve Lash | See Section 3.4 on page 15 . |
| Engine Ignition Timing | See Section 3.4 on page 15 . |
| Engine Fuel Requirements | Gasoline Models: The engine is certified to operate on unleaded gasoline. LPG Models: The engine is certified to operate on LPG. See Section 5.6 on page 36 for fuel recommendations. |
| Engine Lubricating Oil Requirements | See Section 5.5 on page 33 for engine oil recommendations. |
| Engine Fuel Mixture Settings | The generator set engines have precision-manufactured carburetors which are not adjustable. |
| Engine Adjustments | None. |
| Engine Emission Control System | The engine emission control system consists of inherent engine design and, in some cases, an exhaust after-treatment system incorporating a three-way catalyst and pulse secondary air injection. |

3.3 Build Standards

The generator set and its control system have been designed, constructed and tested generally in accordance with the following Standards where applicable.

| Standard | Title |
|--------------------------------|---|
| BS EN 1037:1995+a1:2008 | Safety of machinery - Prevention of unexpected start up. |
| BS EN ISO 14121-1:2007 | Safety of machinery. Risk assessment principles. |
| BS EN ISO 13857:2008 | Safety of machinery. Safety distances to prevent hazard zones being reached by upper and lower limbs. |
| BS EN 349:1993+A1:2008 | Safety of machinery - Minimum gaps to avoid crushing parts on the human body. |
| BS EN 547-1:1996+A1:2008 | Safety of machinery - Human body dimensions - Part 1: Principles for determining the dimensions required for openings for whole body access into machinery. |
| BS EN 547-2:1996+A1:2008 | Safety of machinery - Human body dimensions - Part 2: Principles for determining the dimensions required for access openings. |
| BS EN 547-3:1996+A1:2008 | Safety of machinery - Human body dimensions - Part 3: Anthropomorphic data. |
| BS EN 60204-1:2006+A1:2009 | Safety of machinery. Electrical equipment of machines. General requirements. |
| BS EN 614-1:2006+A1:2009 | Safety of machinery. Ergonomic design principles. Terminology and general principles. |
| BS EN 953:1997+A1:2009 | Safety of machinery - Guards - General requirements for the design and construction of fixed and movable guards. |
| BS EN ISO 12100-1:2003+A1:2009 | Safety of machinery. Basic concepts, general principles for design. Basic terminology, methodology |
| BS EN ISO 12100-2:2003+A1:2009 | Safety of machinery. Basic concepts, general principles for design. Technical principles |
| BS EN ISO 13732-1:2008 | Ergonomics of the thermal environment. Methods for the assessment of human responses to contact with surfaces. Hot surfaces |
| BS EN ISO 13849-1:2008 | Safety of machinery - Safety-related parts of control systems |
| BS EN ISO 13850:2006 | Safety of machinery - Emergency stop. Principles for design. |
| BS EN 61310-1:2008 | Safety of machinery - Indication, marking and actuation - Part 1: Requirements for visual, auditory and tactile signals. |
| BS EN 61310-2:2008 | Safety of machinery - Indication, marking and actuation - Part 2: Requirements for marking. |
| BS EN 61000-6-1:2007 | Electromagnetic compatibility (EMC). Generic standards. Immunity standard for residential, commercial and light-industrial environments. |
| BS EN 61000-6-3:2007 | Electromagnetic compatibility (EMC). Generic standards. Emission standard for residential, commercial and light-industrial environments. |
| BS EN 1299:1997+A1:2008 | Mechanical vibration and shock - Vibration isolation of machines - Information for the application of source isolation |

| Standard | Title |
|-------------------|---|
| BS EN 1679-1:1998 | Reciprocating internal combustion engines - Safety - Part 1: Compression ignition engines |
| BS EN 12601:2001 | Reciprocating internal combustion engine driven generating sets - Safety |

3.4 Specifications

3.4.1 Gasoline Model Specifications

TABLE 2. GASOLINE MODEL SPECIFICATIONS

| | 7.0 HGJAD | 7.0 HGJAE | 5.5 HGJAD | 5.5 HGJAE |
|--|---|--------------------|--------------------------|--------------------|
| GENERATOR: 2-Pole Revolving Field, Self-Excited, 1-Phase, Capped Digital Voltage Regulated, 2-Bearing, Vertical Shaft | | | | |
| Power | 7000 Watts | | 5500 Watts | |
| Frequency ¹ | 60 Hz | | 60 Hz | |
| 1-Ph, 4-Wire V/A | 120/240 Volts, 29.2 Amps | | 120/240 Volts, 22.9 Amps | |
| 1-Ph, 2-Wire V/A | 120 Volts, 58.3 Amps | | 120 Volts, 45.8 Amps | |
| 3-Ph V/A | 120/240 Volts, 16.8 Amps | | 120/240 Volts, 12 Amps | |
| Speed | 3600 RPM | | 3600 RPM | |
| FUEL CONSUMPTION: | | | | |
| No Load | 1.6 l/h (0.43 gph) | | 1.3 l/h (0.34 gph) | 1.3 l/h (0.35 gph) |
| Half Load | 2.7 l/h (0.70 gph) | 2.8 l/h (0.73 gph) | 2.2 l/h (0.58 gph) | 2.3 l/h (0.60 gph) |
| Full Load | 4.3 l/h (1.13 gph) | 4.6 l/h (1.22 gph) | 3.4 l/h (0.89 gph) | 3.6 l/h (0.95 gph) |
| ENGINE: 90° V-Twin Cylinder, 4-Cyle, Spark Ignited, OHV, Air-Cooled, Vertical Shaft | | | | |
| Bore | 80 mm (3.15 in) | | | |
| Stroke | 65 mm (2.56 in) | | | |
| Displacement | 653 cm ³ (39.8 in ³) | | | |
| Compression Ratio | 8.0 : 1 | | | |
| Oil Capacity | 1.8 liters (2.0 qt) | | | |
| Intake Valve Lash (Cold) | 0.10 mm (0.004 in) | | | |
| Exhaust Valve Lash (Cold) | 0.10 mm (0.004 in) | | | |
| Spark Plug Gap | 6-7 mm (0.025 in) | | | |
| Spark Plug Torque | 23-32 Nm (18-25 ft-lbs) | | | |
| Ignition Timing | 20° BTDC, non-adjustable | | | |

| | 7.0 HGJAD | 7.0 HGJAE | 5.5 HGJAD | 5.5 HGJAE |
|---|--|---------------------------|----------------------------|---------------------------|
| Magneto Air Gap | 0.3 mm (0.012 in) | | | |
| Compression | 3.9 kgf/cm ² (55.47 lbf/in ²) @ 500 RPM | | | |
| DC SYSTEM: | | | | |
| Battery Voltage | 12 Volts | | | |
| Minimum Battery Rating | 450 CCA @ -18 °C (0 °F) | | | |
| INSTALLATION: | | | | |
| Exhaust O. D. | 31.75 mm (1.25 in) | | | |
| Fuel Supply Connection | 5/16 inch SAE J1231 Type 1 | 1/4 inch SAE J1231 Type 1 | 5/16 inch SAE J1231 Type 1 | 1/4 inch SAE J1231 Type 1 |
| Fuel Return Connection | 5/16 inch SAE J1231 Type 1 | - | 5/16 inch SAE J1231 Type 1 | - |
| Minimum Free Air Inlet Area | 752.3 cm ² (116.7 in ²) | | | |
| Weight | 136 kg (299 lb) | | 131 kg (288 lb) | |
| Minimum Compartment Size (H x D x W) ² | 450.4 mm x 588.7 mm x 878.8 mm (17.73 in x 23.18 in x 34.6 in) | | | |
| 1. 60 Hz models are listed by CSA and the US Testing Company. | | | | |
| 2. See the Installation Manual for additional considerations when sizing the generator set compartment. | | | | |

3.4.2 LPG Model Specifications

TABLE 3. LPG MODEL SPECIFICATIONS

| | 6.5 HGJAE | 5.5 HGJAE |
|--|----------------------|----------------------|
| GENERATOR: 2-Pole Revolving Field, Self-Excited, 1-Phase, Capped Digital Voltage Regulated, 2-Bearing, Vertical Shaft | | |
| Power | 6500 Watts | 5500 Watts |
| Frequency ¹ | 60 Hz | 60 Hz |
| Voltage | 120/240 Volts | 120/240 Volts |
| Current | 27 Amps | 22.9 Amps |
| Speed | 3600 RPM | 3600 RPM |
| FUEL CONSUMPTION: | | |
| No Load | 1.0 kg/h (2.2 lbs/h) | 0.8 kg/h (1.8 lbs/h) |
| Half Load | 1.8 kg/h (3.9 lbs/h) | 1.5 kg/h (3.3 lbs/h) |
| Full Load | 2.4 kg/h (5.3 lbs/h) | 2.1 kg/h (4.6 lbs/h) |
| ENGINE: 90° V-Twin Cylinder, 4-Cycle, Spark Ignited, OHV, Air-Cooled, Vertical Shaft | | |

| | 6.5 HGJAE | 5.5 HGJAE |
|---|---|------------------|
| Bore | 80 mm (3.5 in) | |
| Stroke | 65 mm (2.56 in) | |
| Displacement | 653 cm ³ (39.8 in ³) | |
| Compression Ratio | 8.0 : 1 | |
| Oil Capacity | 1.8 liters (2.0 qt) | |
| Intake Valve Lash (Cold) | 0.10 mm (0.004 in) | |
| Exhaust Valve Lash (Cold) | 0.10 mm (0.004 in) | |
| Spark Plug Gap | 6-7 mm (0.025 in) | |
| Spark Plug Torque | 23-32 Nm (18-25 ft-lbs) | |
| Ignition Timing | 20° BTDC, non-adjustable | |
| Magneto Air Gap | 0.3 mm (0.012 in) | |
| Compression | 3.9 kgf/cm ² (55.47 lbf/in ²) @ 500 RPM | |
| DC SYSTEM: | | |
| Battery Voltage | 12 Volts | |
| Minimum Battery Rating | 450 CCA @ -18 °C (0 °F) | |
| INSTALLATION: | | |
| Exhaust O. D. | 31.75 mm (1.25 in) | |
| Minimum Free Air Inlet Area | 752.3 cm ² (116.7 in ²) | |
| LPG Vapor Connection Pressure | 3/8-18 NPTF 228–330 mm (9–13 in) WC | |
| Weight | 136 kg (299 lb) | 131 kg (288 lbs) |
| Minimum Compartment Size (H x D x W) ² | HGJAD/HGJAE: 450.4 mm x 588.7 mm x 878.8 mm (17.73 in x 23.18 in x 34.6 in) | |
| <p>1. 60 Hz models are listed by CSA and the US Testing Company.</p> <p>2. See the Installation Manual for additional considerations when sizing the generator set compartment.</p> | | |

3.5 List of Acronyms

TABLE 4. ACRONYM DEFINITIONS

| Acronym | Definition |
|---------|--|
| AC | Alternating Current |
| AGS | Automatic Generator Start |
| AISI | American Iron and Steel Institute |
| ANSI | American National Standards Institute |
| API | American Petroleum Institute |
| ASTM | American Society for Testing and Materials (now known as ASTM International) |
| BS | Build Standard |
| BTDC | Before Top Dead Center |
| CARB | California Air Resources Board |
| CCA | Cold Cranking Amp |
| CFR | Code of Federal Regulations |
| CO | Carbon Monoxide |
| CPG | Cummins Power Generation |
| CSA | Canadian Standards Association |
| DC | Direct Current |
| EEPROM | Electronically Erasable Programmable Read Only Memory |
| EGT | Exhaust Gas Temperature |
| EMC | Electromagnetic Compatibility |
| EPA | Environmental Protection Agency |
| GFCI | Grounded Fault Circuit Interrupters |
| hp | High Pressure |
| I.D. | Inside Diameter |
| ISO | International Organization for Standardization |
| LED | Light-emitting Diode |
| LPG | Liquid Petroleum Gas |
| MAP | Manifold Air Pressure |
| MAT | Manifold Air Temperature |
| NFPA | National Fire Protection Agency |
| NPTF | National Pipe Taper Fuel |
| O.D. | Outside Diameter |
| OEM | Original Equipment Manufacturer |

| Acronym | Definition |
|----------------|---------------------------------|
| PPE | Personal Protective Equipment |
| PTO | Power Take-Off |
| RAM | Random Access Memory |
| ROM | Read Only Memory |
| RV | Recreational Vehicle |
| RVIA | RV Industry Association |
| SAE | Society of Automotive Engineers |
| UNC | Unified National Coarse |
| US, U.S. | United States |
| WC | Water Column |

TABLE 5. ACRONYMS FOR UNITS OF MEASUREMENT

| Acronym | Definition |
|----------------------------|--------------------------------------|
| Amp | Ampere |
| C | Celsius |
| cm | centimeter |
| D | Depth |
| F | Fahrenheit |
| ft | Feet, foot |
| ft-lbs | Foot-pounds |
| g | gram |
| gph | Gallons per hour |
| H | Height |
| Hz | Hertz |
| in | Inch |
| kg | kilogram |
| kg/h | kilograms per hour |
| kgf/cm ² | kilogram-force per square centimeter |
| kW | kilowatt |
| l/h | Liters per hour |
| lb | Pound |
| lbf/in ² OR psi | Pound per square inch |
| lbs/h | Pounds per hour |
| m | Meter |

| Acronym | Definition |
|----------------------------|---------------------------|
| mm | millimeter |
| Nm | Newton meter |
| psi OR lbf/in ² | Pound per square inch |
| qt | Quart |
| RPM | Revolutions per Minute |
| VAC | Volts Alternating Current |
| VDC | Volts Direct Current |
| W | Watts, Width |

4 Operation

4.1 Key Component Locations

The control panel and the components requiring attention during periodic maintenance (see [Section 5.1 on page 31](#)) are located behind a removable access cover. The figure below illustrates the components of a typical generator set. There may be some variation depending on the generator set model.

- To remove the access cover:
 1. Pull the top of cover outward.
 2. Lift the cover away from the housing.
- To replace the access cover:
 1. Catch the bottom lip of the cover on the top edge of the base tray.
 2. With the bottom lip aligned, firmly push the cover into place.

NOTICE

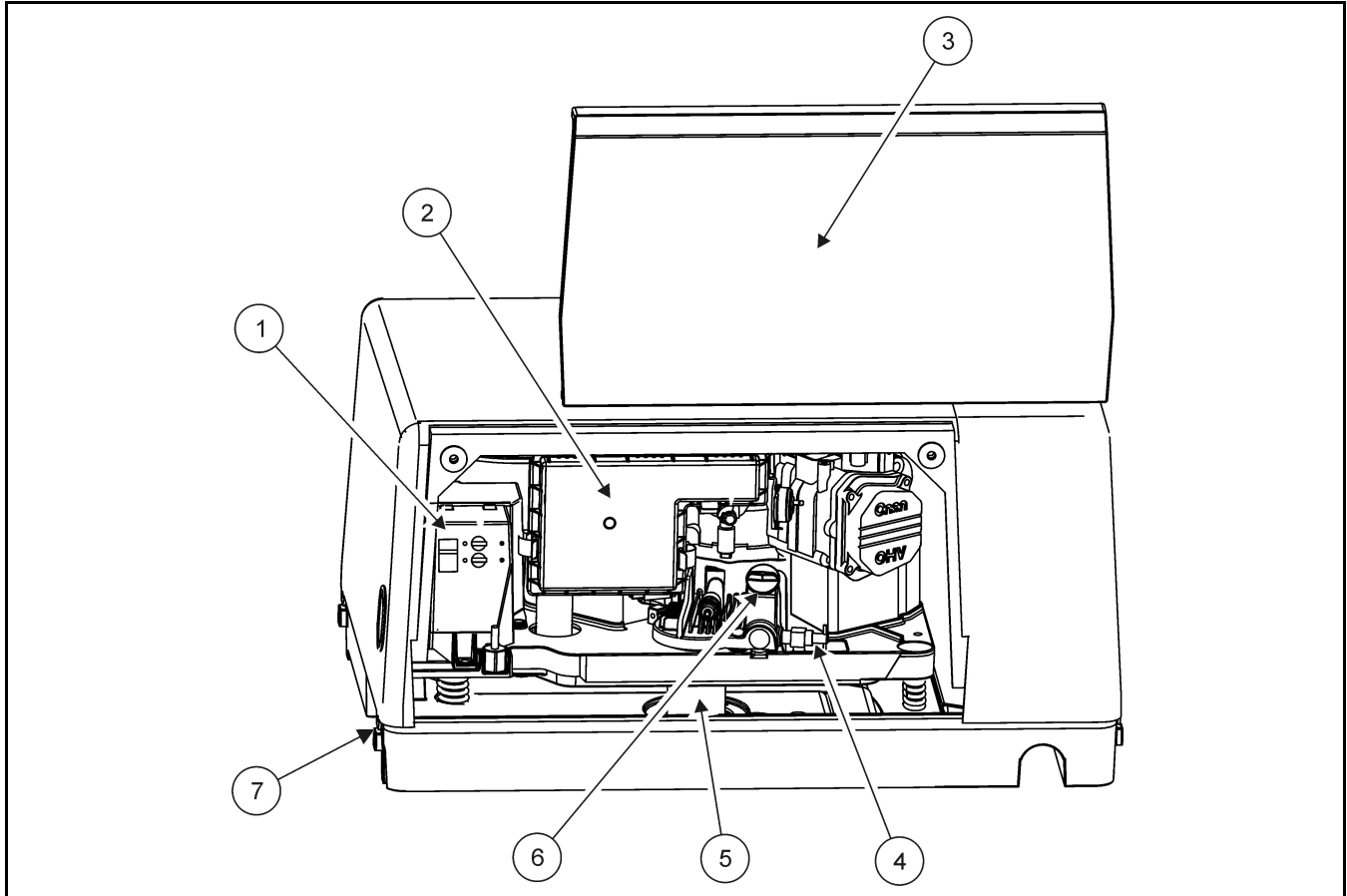
If the cover pins and rubber grommets do not line up, check that the edging on the top edge of the base tray lies flat and is pushed down all the way.

NOTICE

If the cover feels loose, one of the rubber grommets probably pushed through. If so, remove the cover, insert the grommet back into its hole, and try replacing the access cover again.

WARNING

Operating the generator set with the access cover off can result in severe personal injury or equipment damage. Hot components are exposed when the access cover is removed and generator set cooling air does not circulate properly. Do not operate the generator set with the access cover removed.



| No. | Description | No. | Description |
|-----|------------------------|-----|---------------------------|
| 1 | Control Panel | 5 | Oil Filter |
| 2 | Air Filter Cover | 6 | Oil Fill Cap and Dipstick |
| 3 | Removable Access Cover | 7 | Fuel Filter |
| 4 | Oil Drain Valve | | |

FIGURE 2. KEY COMPONENT LOCATIONS

4.2 Control Panel

4.2.1 Generator Set Control Panel

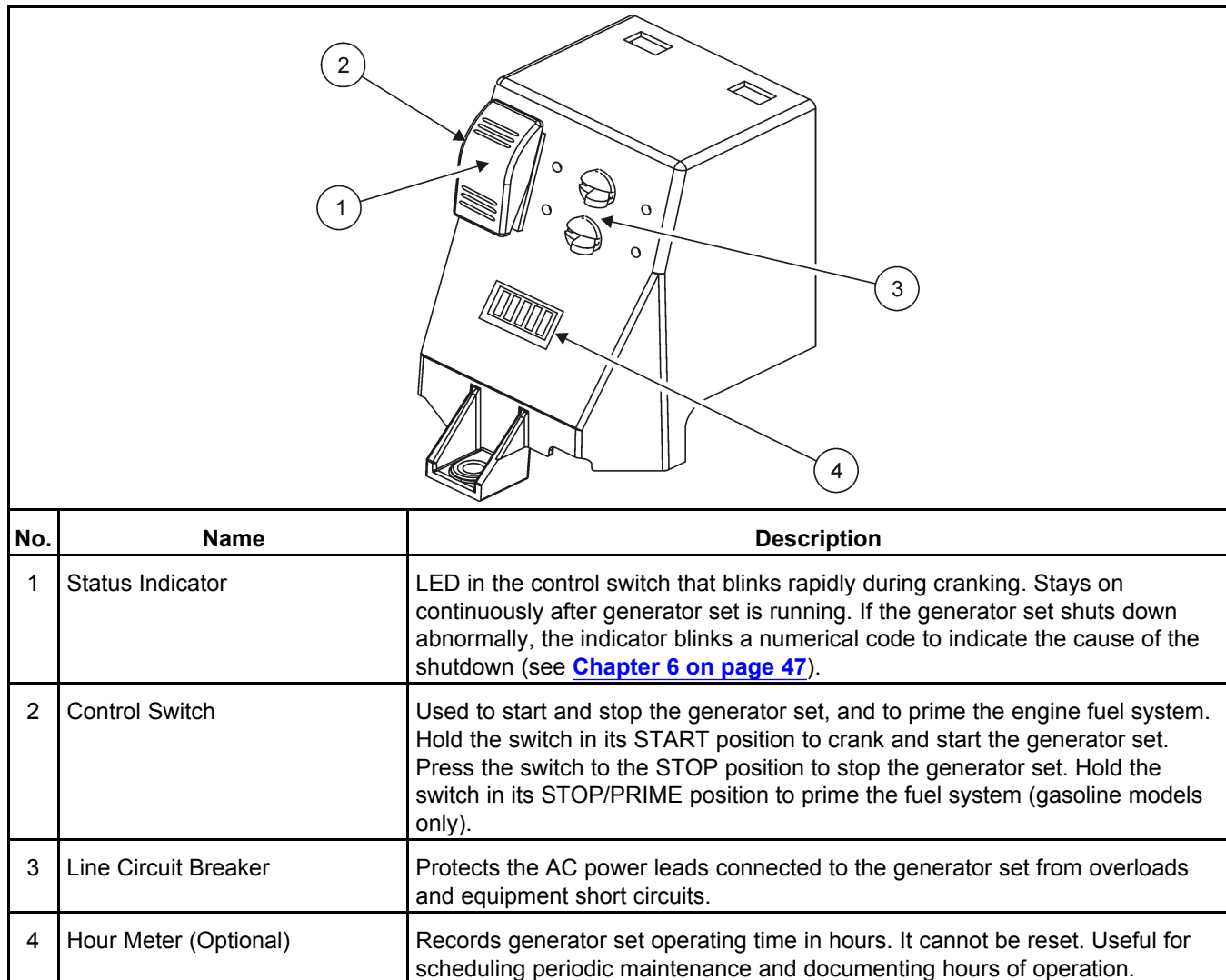


FIGURE 3. GENERATOR SET CONTROL PANEL

4.2.2 Remote Control Panel

A remote control panel may be installed inside the vehicle. Cummins Onan offers 3 remote control panel kits.

- Control switch with status indicator.
- Control switch with status indicator and an hour meter.
- Control switch with status indicator and a DC voltmeter.

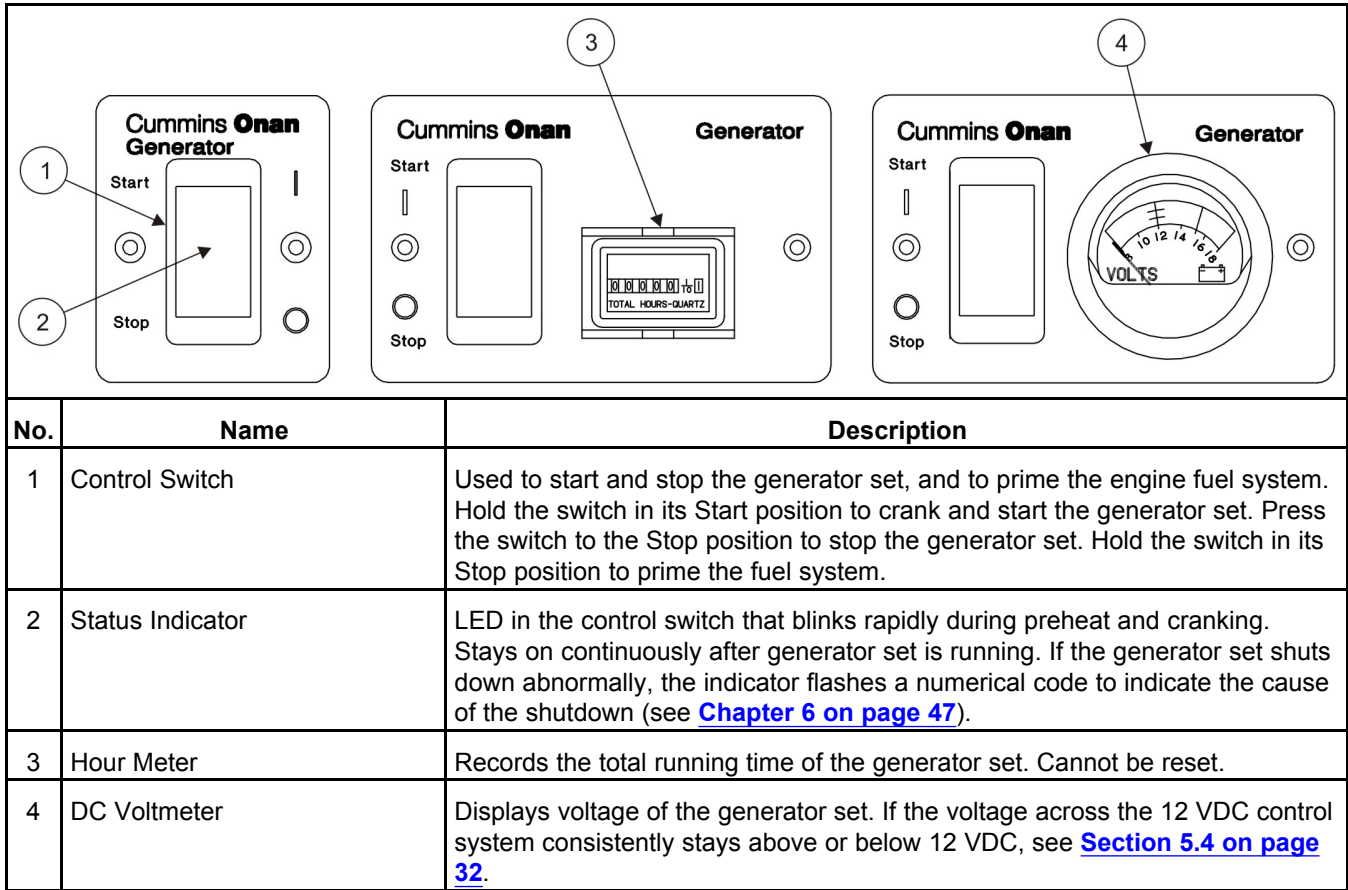


FIGURE 4. REMOTE CONTROL PANELS

4.3 Starting and Stopping the Generator Set

4.3.1 Pre-start Checks

WARNING

EXHAUST GAS IS DEADLY!

Exhaust gases contain carbon monoxide, an odorless, colorless gas. Carbon monoxide is poisonous and can cause unconsciousness and death. Symptoms of carbon monoxide poisoning include:

- ***Dizziness***
- ***Muscular twitching***
- ***Weakness and sleepiness***
- ***Throbbing in temples***
- ***Headache***
- ***Inability to think clearly***
- ***Nausea***
- ***Vomiting***

IF YOU OR ANYONE ELSE EXPERIENCES ANY OF THESE SYMPTOMS, GET OUT INTO THE FRESH AIR IMMEDIATELY. If symptoms persist, seek medical attention. Shut down the generator set and do not operate it until it has been inspected and repaired.

Never occupy the vehicle with the generator set running unless the vehicle is equipped with a working carbon monoxide detector. However, primary protection against inhaling carbon monoxide is proper installation of the exhaust system, and daily (every 8 hours) inspection for visible and audible exhaust system leaks.

Perform pre-start checks before the first start of the day and after every 8 hours of operation. See [Chapter 5](#) if the vehicle has been in storage.

1. Make sure all vehicle CO detectors are working properly.
2. Remove access cover.
3. Inspect the generator set as instructed in [Chapter 5](#).
4. Perform any maintenance due ([Section 5.1 on page 31](#)).
5. Keep a maintenance log ([Chapter 7 on page 57](#)).
6. Check for signs of fuel and exhaust leaks and for damage to the exhaust system.
7. Replace access cover.
8. Turn off the air conditioner and other large appliances.

4.3.2 Priming the Fuel System

The fuel system should be primed after the fuel filter is replaced or after the generator set runs out of fuel.

Position the control switch to **STOP/PRIME** for 30 seconds. The status indicator stays on while the pump is on.

4.3.3 Starting the Generator Set

1. Visually inspect for fuel and exhaust leaks. Do not start the generator set until any fuel or exhaust leak is repaired.
2. Position and hold the control switch to **START** until the generator set starts. The status indicator on the switch flashes while cranking. It will stay on continuously when the generator set is running.
3. If the generator set fails to start, cranking will stop in approximately 30 seconds. The status indicator will blink, indicating an over crank fault. Wait 5 seconds for the control to reset before trying again. After 5 tries, let the starter motor cool down for 30 seconds before trying again. See [Chapter 6 on page 47](#) if the generator set does not start after several tries.

CAUTION

The starter motor can be damaged by overheating. Allow it to cool down for 30 seconds after every fifth crank.

4. For top performance and engine life, especially in colder weather, let the engine warm up for 2 minutes before connecting appliances.
5. See [Chapter 6 on page 47](#) if the generator set shuts down and the status indicator blinks, indicating a fault.

4.3.4 Stopping the Generator Set

1. Turn off the air conditioner and other large appliances.
2. Run generator set for 2 minutes to allow for cool down.
3. Press the control switch in its **STOP** position.

4.4 Loading the Generator Set

The power rating (kW) on the generator set nameplate determines how much electrical load (motors, fans, heaters, air conditioners, and other appliances) the generator set can power. If the sum of the loads exceeds the generator set power rating, the generator set will shut down or its line circuit breakers will trip.

NOTICE

It may be necessary to run fewer appliances at the same time—the sum of the loads must not be greater than the generator set power rating.

To avoid shutdowns due to generator set overload, use the electrical ratings on the nameplates of equipment (if available) to compare the sum of the electrical loads that are likely to be used at the same time to the generator set power rating. Refer to the table below for typical appliance ratings.

Appliance load and generator set power are measured in terms of Watts (W) or kilowatts (kW), where 1 kilowatt (kW) = 1000 Watts (W).

- If the equipment is marked in Amps and Volts only, multiply the Amps times the Volts to obtain the load in Watts.
- Divide Watts by 1000 to obtain load in terms of kilowatts.

It is possible that the generator set circuit breaker may trip even though the sum of the steady state loads is less than the generator set power rating. When a large motor or air conditioner is started last or cycles off and on, the startup load is larger than its normal running load, causing the load to temporarily exceed the generator set power rating.

Typical "invisible" charging loads:

- During startup, air conditioners need "reserve" power and can draw 3–4 times the typical 1400–2400 Watts needed to run. Too much baseload can prevent air conditioners from starting.
- Battery chargers are activated automatically and can draw a large load (up to 3000 Watts). Manage electrical loads by adjusting battery charge rates to best suit your needs. Consult your inverter/charger manual or manufacturer.

TABLE 6. TYPICAL APPLIANCE LOADS

| Appliance | Average Required Wattage | Amps |
|------------------------------|---------------------------------|-------------|
| Air Compressor (1hp) | 900-1800 | 7.5-15 |
| Air Conditioner | 1200-2400 | 10-20 |
| Battery Charger ¹ | Up to 3000 | 6-28 |
| Blender | 450-700 | 3.3-5.8 |
| Broiler | 1400-1700 | 11.6-14 |
| Broom/Vacuum | 1000-1440 | 8.3-12 |
| CD/mp3 Player & Speakers | 85 | 0.7 |
| Coffeepot | 900-1200 | 7.5-10 |
| Computer | 60-270 | 0.5-2.25 |
| Laptop | 20-50 | 0.16-0.41 |
| Converter | 500-1000 | 4-8 |
| Curling Iron | 20-50 | 0.16-0.41 |
| Dishwasher | 1200-2400 | 10-20 |
| Drill | 250-1000 | 2-8 |
| Electric Blanket | 60-100 | 0.5-0.8 |
| Fan | 10-175 | 0.08-1.45 |
| Flat Iron | 40-80 | 0.3-0.6 |
| Frying Pan/Wok | 1000-1350 | 8-11.25 |
| Game Console | 19-200 | 0.16-1.6 |
| Hair Dryer | 1200-1875 | 10-15.6 |
| Iron | 1000-1800 | 8-15 |
| Light Bulbs | 13-100 | 0.1-0.8 |
| Microwave/Convection Oven | 750-1100 | 6.25-9.2 |
| Radio | 50-200 | 0.4-1.6 |
| Refrigerator | 400-1000 | 3.3-8 |
| Shaver | 15-20 | 0.12-0.16 |
| Space Heater | 750-1500 | 6.25-12.5 |
| Stove | 900-2500 | 7.5-20.8 |

| Appliance | Average Required Wattage | Amps |
|------------------------|--------------------------|-----------|
| Television | 43-600 | 0.35-5 |
| Toaster | 800-1400 | 6.6-11.6 |
| VCR/DVD/Blu-ray Player | 6-30 | 0.05-0.25 |
| Washer/Dryer | 350-500/1800-5000 | 3-4/15-42 |
| Water Heater | 1000-1500 | 8-12.5 |
| Water Pump | 250-1100 | 2-9.16 |

¹ Battery chargers can be a source of significant load and will be on whether they are connected to shore power or the generator set.

4.4.1 Power Versus Altitude

The generator set is rated at standard barometric pressure, humidity, and air temperature (reference ISO 3046). Low barometric pressure (high altitude) or high ambient temperature decreases engine power.

- As ambient temperature increases, rated generator set engine power decreases approximately 1% for every 5.5 °C (10 °F) above 25 °C (77 °F).
- Power decreases approximately 3.5% of rated power each 305 m (1000 ft) of increase in elevation. Refer to the table below for typical elevation/generator set power calculations.

NOTICE

It may be necessary to run fewer appliances at higher altitudes and ambient temperatures.

TABLE 7. POWER VERSUS ALTITUDE

| Generator Set rated 7.0 kW ¹ | Generator Set rated 6.5 kW ¹ | Generator Set rated 5.5 kW ¹ |
|---|---|---|
| 7000 Watts up to 914 m (3000 ft) | 6500 Watts up to 914 m (3000 ft) | 5500 Watts up to 914 m (3000 ft) |
| 6755 Watts at 1219 m (4000 ft) | 6272 Watts at 1219 m (4000 ft) | 5500 Watts at 1219 m (4000 ft) |
| 6510 Watts at 1524 m (5000 ft) | 6044 Watts at 1524 m (5000 ft) | 5500 Watts at 1524 m (5000 ft) |

1. - Does not take into account the effect circuit breakers may have in limiting maximum power.

4.5 Exercising the Generator Set

Exercise the generator set at least 2 hours each month if use is infrequent. Run the generator set at approximately 1/2 rated power. A single 2-hour exercise period is better than several shorter periods.

Exercising a generator set drives off moisture, relubricates the engine, replaces stale fuel in fuel lines, and removes oxides from electrical contacts and generator slip rings. The result is better starting, longer engine life, and greater reliability.

4.6 Resetting Line Circuit Breakers

If a generator set line circuit breaker or a circuit breaker in the power distribution panel trips, either a short circuit has occurred or too many loads were connected.

NOTICE

The generator set continues to run if its circuit breaker trips.

If a circuit breaker trips:

1. Disconnect or turn off as many electrical loads as possible.
2. Reset the circuit breaker.
3. If the circuit breaker trips right away, either the appliance (or electrical load) has a short or the circuit breaker is faulty. Call a qualified electrician.

NOTICE

It may be necessary to push the circuit breaker OFF to reset it and ON to reconnect the circuit.

4. If the circuit breaker does not trip right away, reconnect loads one-by-one making sure not to overload the generator set or cause a circuit breaker to trip. If a circuit breaker trips right away when an appliance is connected, that appliance or circuit probably has a short.

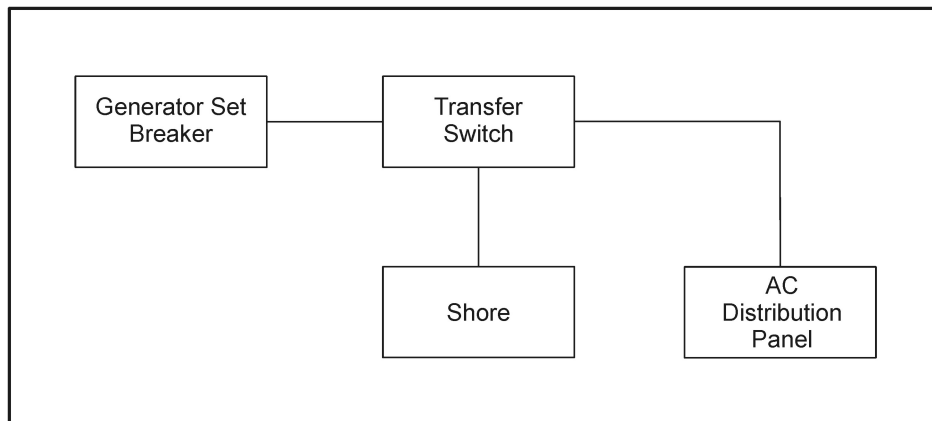


FIGURE 5. CIRCUIT BREAKER CONNECTIONS

⚠ WARNING

Short circuits in electrical equipment can cause fire and electrical shock leading to severe personal injury or death. Electrical equipment and its grounding must be maintained properly to protect against short circuits.

Electrical equipment must be used and maintained properly, and be properly grounded, to cause the line circuit breakers to trip when short circuits occur.

Electrical appliances and tools must be used and maintained in accordance with their manufacturer's instructions and safety precautions. Proper grounding is needed to reduce the risk of electric shock and fire.

4.7 Connecting Shore Power

⚠ WARNING

Interconnecting the generator set and shore power can lead to electrocution of utility line workers, equipment damage, and fire. Use an approved switching device to prevent interconnections.

A vehicle with provisions for connecting utility power must have an approved device to keep the generator set and utility from being interconnected. See the generator set Installation Manual for more information.

4.8 Operating in Weather Extremes

Pay particular attention to the following items when operating the generator set in cold or hot weather.

1. Make sure nothing blocks airflow to and from the generator set.
2. Make sure engine oil viscosity is appropriate for the ambient temperature. See [Section 5.5 on page 33](#) for engine oil recommendations.
3. Keep the generator set clean.
4. Perform maintenance due. See [Section 5.1 on page 31](#).

4.9 Operating in Dusty Environments

Pay particular attention to the following items when operating the generator set in dusty environments.

1. Do not let dirt and debris accumulate inside the generator set compartment. Keep the generator set clean.
2. Perform air filter element maintenance more often.
3. Change engine oil more often.

4.10 Care of New or Rebuilt Engine

Proper engine break-in on a new generator set or on one with a rebuilt engine is essential for top engine performance and acceptable oil consumption. Run the generator set at approximately 1/2 rated power for the first 2 hours and at 3/4 rated power for 2 more hours.

Proper engine oil and oil level are especially critical during break-in because of the higher engine temperatures that can be expected. Change the oil if the oil is not appropriate for the ambient temperatures during break-in. See [Section 5.5 on page 33](#) for engine oil recommendations.

Check oil level twice a day or every 4 hours during the first 20 hours of operation and change the oil after the first 20 hours of operation.

5 Maintenance

⚠ WARNING

Only authorized and competent personnel who are familiar with the equipment and its operation should carry out maintenance.

5.1 Periodic Maintenance

⚠ WARNING

Accidental starting can cause severe personal injury or death. Turn off the AGS whenever performing maintenance or service, when the vehicle is stored between uses, is awaiting service, or is parked in a garage or other confined area.

Periodic maintenance is essential for top performance and long generator set life. Use the Periodic Maintenance Schedule below for normal periodic maintenance. In hot and dusty environments some maintenance procedures should be performed more frequently, as indicated by the footnotes in the schedule. Keeping a log of maintenance performed and hours run will help keep generator set maintenance regular and provide a basis for supporting warranty claims (see [Chapter 7 on page 57](#)).

Maintenance, replacement, or repair of emission control devices and systems may be performed by any engine repair establishment or individual. However, warranty work must be completed by an authorized Cummins Onan Service Representative.

5.1.1 Periodic Maintenance Schedule

TABLE 8. PERIODIC MAINTENANCE SCHEDULE

| MAINTENANCE PROCEDURE | MAINTENANCE FREQUENCY | | | | | | |
|--------------------------------|----------------------------|----------------------|----------------|----------------|----------------------|-----------------|-------------------|
| | Every Day or Every 8 Hours | After First 20 Hours | Every Month | Every 50 Hours | Every 150 Hours | Every 450 Hours | Every 500 Hours |
| General Inspection | X | | | | | | |
| Check Engine Oil Level | X | | | | | | |
| Clean and Check Battery | | | X ³ | | | | |
| Clean Spark Arrester | | | | X | | | |
| Change Engine Oil & Oil Filter | | X ¹ | | | X ^{2, 3, 4} | | |
| Replace Air Filter Element | | | | | X ² | | |
| Clean Engine Cooling Fins | | | | | | | X ² |
| Replace Spark Plugs | | | | | | | X ⁵ |
| Replace Fuel Filter | | | | | | | X ^{5, 8} |
| Adjust Valve Lash | | | | | | | X ⁶ |

| MAINTENANCE PROCEDURE | MAINTENANCE FREQUENCY | | | | | | |
|---|----------------------------|----------------------|-------------|----------------|-----------------|-----------------|-----------------|
| | Every Day or Every 8 Hours | After First 20 Hours | Every Month | Every 50 Hours | Every 150 Hours | Every 450 Hours | Every 500 Hours |
| 1 - As a part of engine break-in, change the engine oil after the first 20 hours of operation. 2 - Perform more often when operating in dusty environments. 3 - Perform more often when operating in hot weather. 4 - Perform at least once a year. 5 - Perform sooner if engine performance deteriorates. 6 - Must be performed by a qualified mechanic (authorized Cummins Onan Service Representative). 7 - Must be completed for optimum performance. 8 - Replace every 500 hours or once every 3 years. | | | | | | | |

5.2 Consumable Parts

The following is a list of consumables associated with the generator models covered in this manual:

TABLE 9. CONSUMABLE PARTS

| Part Number | Description | Quantity |
|-------------|-----------------------|----------|
| 0122-0836 | Oil Filter | 1 |
| 0140-3116 | Element, Air Cleaner | 1 |
| 0147-0860 | Fuel Filter, EFI | 1 |
| 0187-6268 | Oil Pump Filter | 1 |
| 0167-1638 | Spark Plug | 2 |
| 0149-2341 | Fuel Filter, Gasoline | 1 |

5.3 General Inspection

1. Check battery connections ([Section 5.4 on page 32](#)).
2. Check engine oil level ([Section 5.5 on page 33](#)).
3. Check fuel system ([Section 5.6 on page 36](#)).
4. Check exhaust system ([Section 5.7 on page 38](#)).
5. Check mechanical system ([Section 5.8 on page 39](#)).

5.4 Maintaining the Battery

The generator set requires a 12 Volt battery to power its control and starting circuits. Reliable generator set starting and starter service life depend upon adequate battery system capacity and maintenance.

⚠ WARNING

Flames, sparks, or arcing at battery terminals, light switches, or other equipment can ignite battery gas, causing severe personal injury. Ventilate the battery area before working on or near a battery, wear safety glasses, and do not smoke. Turn work light on or off away from the battery. When performing maintenance procedures or when servicing a battery, stop the generator set and disconnect the charger before disconnecting battery cables. Using an insulated wrench, disconnect the negative (-) cable first and reconnect it last.

Refer to [Section 5.1 on page 31](#) for the battery maintenance schedule and follow the battery manufacturer's instructions. Have the battery charging system serviced if DC system voltage is consistently low or high.

Check the battery terminals for clean, tight connections. Loose or corroded connections have high electrical resistance which makes starting harder.

1. Keep the battery case and terminals clean and dry.
2. Keep the battery terminals tight.
3. Remove battery cables with a battery terminal puller.
4. Make sure which terminal is positive (+) and which is negative (-) before making battery connections, always removing the negative (-) cable first and reconnecting it last to reduce arcing.

5.5 Maintaining the Lubrication System

Keep dirt, water, and other contaminants from entering the lubrication system and corroding or clogging lubrication components.

5.5.1 Oil Level

Park the vehicle on level ground and stop the generator set before checking engine oil level.

⚠ WARNING

Engine components (drains, filters, hoses, etc.) can be hot and cause severe burns, lacerations of the skin, and liquid splash. Use personal protective equipment when working with or around hazardous materials. Examples of personal protective equipment include (but are not limited to) safety glasses, protective gloves, hard hats, steel toed boots, and protective clothing.

⚠ WARNING

Crankcase pressure can blow hot engine oil out the fill opening causing, severe burns. Always stop the generator set before removing the oil fill cap.

⚠ WARNING

State and federal agencies have determined that contact with used engine oil can cause cancer or reproductive toxicity. Avoid skin contact and breathing of vapors. Use rubber gloves and wash exposed skin.

⚠ CAUTION

Too little oil can cause severe engine damage. Too much oil can cause high oil consumption. Keep the oil level between the high and low beads (or markings) on the dipstick.

1. Unscrew the oil fill cap and wipe oil off the dipstick.

2. Reinsert without screwing in the dipstick.
3. Remove the dipstick again to check oil level.
4. Add or drain oil as necessary. Keep the oil level between the full and add marks.
5. Insert the dipstick and screw the oil fill cap back on securely.

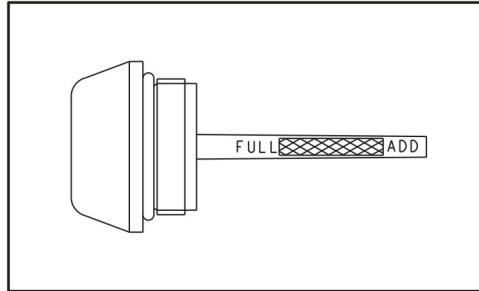


FIGURE 6. OIL FILL CAP AND DIPSTICK

5.5.2 Engine Oil Recommendations

- Use API (American Petroleum Institute) performance Class **SJ**, **SH** or **SG** engine oil, which may be in combination with performance Class CH-4, CG-4 or CF-4 (for example: SJ/CH-4).
- Look for the SAE (Society of Automotive Engineers) viscosity grade. Choose the viscosity grade appropriate for the ambient temperatures expected until the next scheduled oil change.
- Single-grade SAE 30 oil is preferable when temperatures are consistently above freezing. Multigrade oils are better when wide temperature variations are expected.

TABLE 10. OIL VISCOSITY VS. TEMPERATURE

| EXPECTED AMBIENT TEMPERATURES | SAE VISCOSITY GRADE |
|-------------------------------|---------------------|
| 0 °C (32 °F) and higher | 30 (OnaMax) |
| -12 to 38 °C (10 to 100 °F) | 15W-40 (OnaMax) |
| -18 to 27 °C (0 to 80 °F) | 10W-30 10W-40 |
| -28 to 10 °C (-20 to 50 °F) | 5W-30 |

5.5.3 Changing Engine Oil and Oil Filter

⚠ WARNING

Accidental or remote starting can cause severe personal injury or death. Before removing a panel or access door, or before working on the generator set, use an insulated wrench to disconnect the negative (-) cable from the battery to prevent accidental starting.

⚠ WARNING

Engine components (drains, filters, hoses, etc.) can be hot and cause severe burns, lacerations of the skin, and liquid splash. Use personal protective equipment when working with or around hazardous materials. Examples of personal protective equipment include (but are not limited to) safety glasses, protective gloves, hard hats, steel toed boots, and protective clothing.

⚠ WARNING

State and federal agencies have determined that contact with used engine oil can cause cancer or reproductive toxicity. Avoid skin contact and breathing of vapors. Use rubber gloves and wash exposed skin.

Refer to [Section 5.1 on page 31](#) for the engine oil change schedule. Change oil more often in hot or dusty environments.

1. Run the generator set under load until it is up to operating temperature, stop it, and disconnect the negative (-) battery cable at the battery.

⚠ WARNING

Crankcase pressure can blow hot engine oil out the fill opening causing, severe burns. Always stop the generator set before removing the oil fill cap.

2. Remove the oil fill cap.
3. Place a pan underneath the oil drain hole and open the drain valve. Let all oil drain from the engine.
4. Close the drain valve.
5. Spin off the oil filter and thoroughly wipe off the filter mounting surface. Remove the gasket if it does not come off with the filter.
6. Apply a film of oil to the new filter gasket and spin the new filter on by hand until the gasket just touches the mounting pad. Tighten 1/2 to 3/4 of a turn.

⚠ CAUTION

Too little oil can cause severe engine damage. Too much oil can cause high oil consumption. Keep the oil level between the high and low beads (or markings) on the dipstick.

7. Refill with 1.8 liters (2 qts) of oil. Check the oil level and add or drain oil as necessary.
8. Screw the oil fill cap on securely.
9. Reconnect the negative battery cable.
10. Run the generator for a few minutes, shut it down, and recheck for proper oil level and leaks.
11. Dispose of the used oil and oil filter in accordance with local environmental regulations.

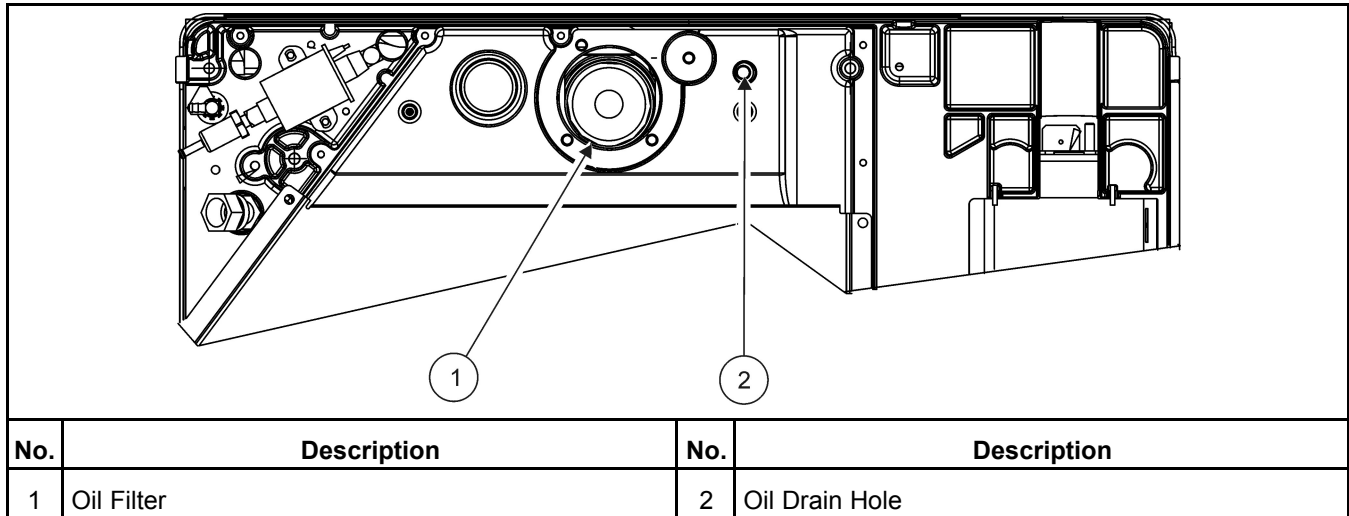


FIGURE 7. OIL DRAIN HOLE AND FILTER

5.6 Maintaining the Fuel System

Keep dirt, water, and other contaminants from entering the fuel system and corroding or clogging fuel system components.

5.6.1 Fuel System

⚠ WARNING

Fuel leaks can lead to fire. Repair leaks immediately. Do not run the generator set if it causes fuel to leak.

1. Check for leaks at the hose, tube, and pipe fittings in the fuel supply system while the generator set is running and while it is stopped.
2. Check flexible fuel hoses sections for cuts, cracks, abrasions, and loose hose clamps.
3. Make sure the fuel line does not rub against other parts of the vehicle or generator set.
4. Replace worn or damaged fuel line parts before leaks occur.
5. If an LPG generator set and gas odor is detected, close the LPG container shutoff valve and have the generator set serviced.

5.6.2 Fuel Recommendations

⚠ WARNING

Gasoline and LPG are highly flammable and explosive and can cause severe personal injury or death. Do not smoke or turn electrical switches ON or OFF where fuel fumes, tanks, or equipment are present; or in areas sharing ventilation. Keep flames, sparks, pilot lights, arc-producing equipment and switches, and all other sources of ignition well away. Keep a type ABC fire extinguisher in the vehicle.

5.6.2.1 Gasoline Models

Use clean, fresh unleaded gasoline having a minimum octane rating (Anti-Knock Index) of 87.

- Ethanol Blend - Not more than 10% ethanol
- Methanol Blend - Not more than 5% methanol and the fuel must also contain solvents and corrosion inhibitors.

⚠ CAUTION

Using gasoline containing more than 5% methanol, or gasoline additives containing methanol, can be corrosive to fuel system components.

NOTICE

Avoid using leaded gasoline because of the extra engine maintenance required.

5.6.2.2 LPG Models

Use clean, fresh HD-5 grade liquefied petroleum gas (LPG) or equivalent product consisting of at least 90 percent propane. Commercial LPG fuels may contain more than 2.5 percent butane which can result in poor fuel vaporization and poor engine starting in low ambient temperatures (below 0 °C (32 °F)).

Satisfactory performance on low-pressure LPG models requires that the LPG vapor be supplied at a pressure within the range indicated in the specifications chapter.

⚠ WARNING

High LPG supply pressure can cause gas leaks which can lead to fire and severe personal injury or death. LPG supply pressure must be adjusted to Specifications by trained and experienced personnel.

5.6.3 Replacing the Fuel Filter

⚠ WARNING

Accidental or remote starting can cause severe personal injury or death. Before removing a panel or access door, or before working on the generator set, use an insulated wrench to disconnect the negative (-) cable from the battery to prevent accidental starting.

⚠ WARNING

Engine components (drains, filters, hoses, etc.) can be hot and cause severe burns, lacerations of the skin, and liquid splash. Use personal protective equipment when working with or around hazardous materials. Examples of personal protective equipment include (but are not limited to) safety glasses, protective gloves, hard hats, steel toed boots, and protective clothing.

⚠ WARNING

Gasoline is highly flammable and explosive and can cause severe personal injury or death. Do not smoke or turn electrical switches ON or OFF where fuel fumes, tanks, or equipment are present; or in areas sharing ventilation. Keep flames, sparks, pilot lights, arc-producing equipment and switches, and all other sources of ignition well away. Keep a type ABC fire extinguisher in the vehicle.

Refer to [Section 5.1 on page 31](#) for scheduled fuel filter replacement. Replace the fuel filter if the engine lacks power.

1. Let engine cool down to prevent igniting any fuel that may be spilled when disconnecting the fuel filter.
2. Remove the fuel line from the fuel filter. Plug the fuel line to prevent fuel leakage and vapor accumulation.
3. Run the generator set until it runs out of fuel and let it cool down.
4. Disconnect the negative (-) cable at the battery to prevent the engine from starting.
5. Unscrew the filter from the fuel pump using a deep 11/16-inch socket.
6. Install the new fuel filter by hand and tighten securely.
7. Connect the fuel filter to the fuel line.
8. Prime the engine for at least 30 seconds to fill the new fuel filter. Check for leaks as the generator set runs for several minutes.
9. Tighten the connections, if necessary.
10. Connect the negative (-) cable at the battery.
11. Dispose of the old filter in accordance with local environmental regulations.

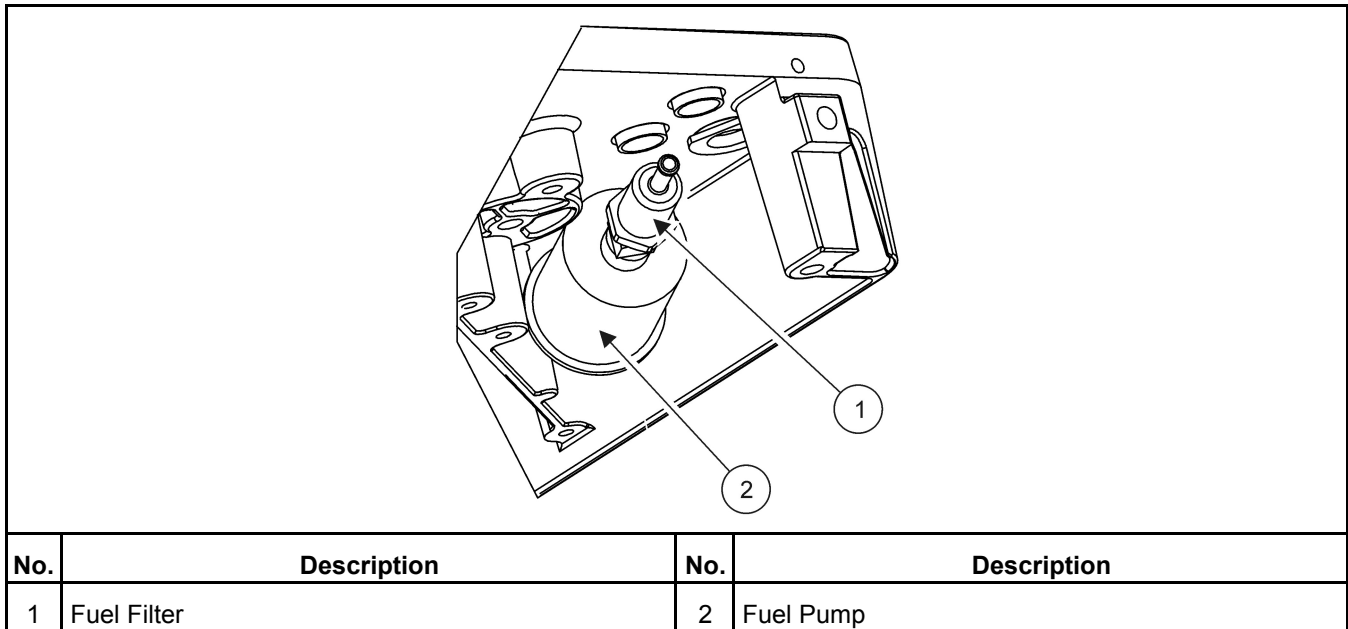


FIGURE 8. FUEL FILTER

5.7 Exhaust System

⚠ WARNING

EXHAUST GAS IS DEADLY! Do not operate the generator set if there is an exhaust leak or any danger of exhaust gasses entering or being drawn into the vehicle.

⚠ WARNING

Grass or brush in contact with the exhaust system can cause fire. Do not park the vehicle in high grass or brush.

1. Look and listen for exhaust system leaks while the generator set is running. Shut down the generator set if a leak is found and have it repaired before operating.
2. Look for openings or holes between the generator set compartment and vehicle cab or living space if the generator set engine sounds louder than usual. Have all such openings or holes closed off and sealed to prevent exhaust gases from entering the vehicle.
3. Replace dented, bent, or severely rusted sections of the tailpipe and make sure the tailpipe extends at least 25.4 mm (1 in) beyond the perimeter of the vehicle.
4. Park the vehicle so that generator set exhaust gases disperse away from the vehicle. Barriers such as walls, snow banks, high grass, brush, and other vehicles can cause exhaust gases to accumulate in and around the vehicle.
5. Do not operate power ventilators or exhaust fans while the vehicle is standing with the generator set running. The ventilator or fan can draw exhaust gases into the vehicle.
6. Check all CO monitors to assure proper operation.

5.8 Mechanical System

⚠ WARNING

Compressed air, pressure washers, and steam cleaners can cause severe eye injury. Always wear safety glasses when using.

1. Look for mechanical damage and listen for unusual noises and vibrations.
2. Check the generator set mounting bolts.
3. Check to see that the generator set air inlet and outlet openings are not clogged with debris or blocked.
4. Clean accumulated dust and dirt from the generator set. Do not clean the generator set while it is running or still hot. Protect the generator, air cleaner, control panel, and electrical connections from water, soap, and cleaning solvents.

5.9 Replacing the Air Filter Element

⚠ WARNING

Accidental or remote starting can cause severe personal injury or death. Before removing a panel or access door, or before working on the generator set, use an insulated wrench to disconnect the negative (-) cable from the battery to prevent accidental starting.

⚠ WARNING

Engine components (drains, filters, hoses, etc.) can be hot and cause severe burns, lacerations of the skin, and liquid splash. Use personal protective equipment when working with or around hazardous materials. Examples of personal protective equipment include (but are not limited to) safety glasses, protective gloves, hard hats, steel toed boots, and protective clothing.

Refer to [Section 5.1 on page 31](#) for scheduled air filter element replacement. Under dusty operating conditions, inspect and replace more often.

1. Remove the front access cover.
2. Unlatch the 3 spring clips and rotate the cover out and away from the hooks on top.
3. Remove air filter element from the cover.
4. Wipe the air filter element sealing surfaces clean and install new air filter element into the cover and slide back into position.
5. Relatch the 3 spring clips.
6. Replace the front access cover.

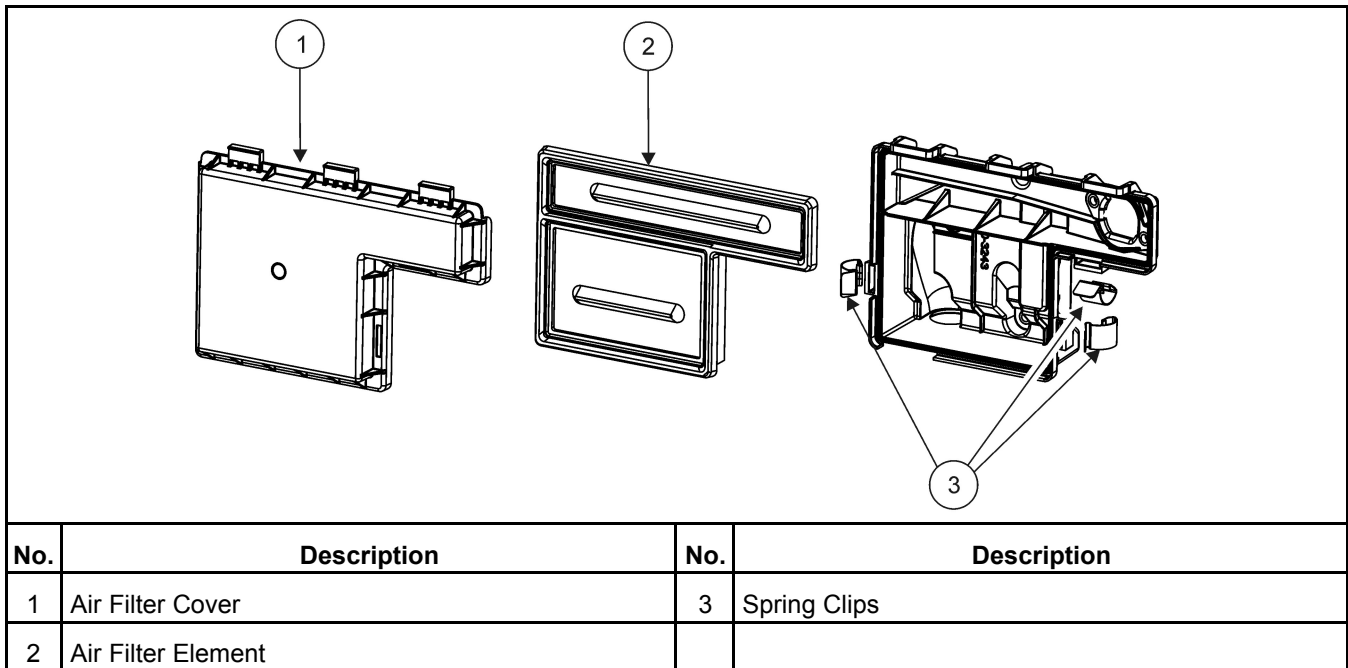


FIGURE 9. AIR FILTER ELEMENT

5.10 Replacing the Spark Plug(s)

Refer to [Section 5.1 on page 31](#) for scheduled spark plug replacement. The spark plug(s) must be in good condition for proper engine starting and performance. A spark plug that fouls frequently or has heavy soot deposits indicates that the engine needs service. Refer to [Chapter 6 on page 47](#).

1. Remove the front access cover.
2. Unscrew the spark plug and remove.
3. Thread the spark plug in by hand until it seats. Tighten to 13 Nm (10 ft-lbs).

NOTICE

Always thread the spark plug in by hand until it seats to prevent cross-threading.

NOTICE

If a torque wrench is not available, turn the spark plug an additional 1/4 turn if being reused, or 3/8 to 1/2 turn for a new spark plug.

4. Replace the front access cover.

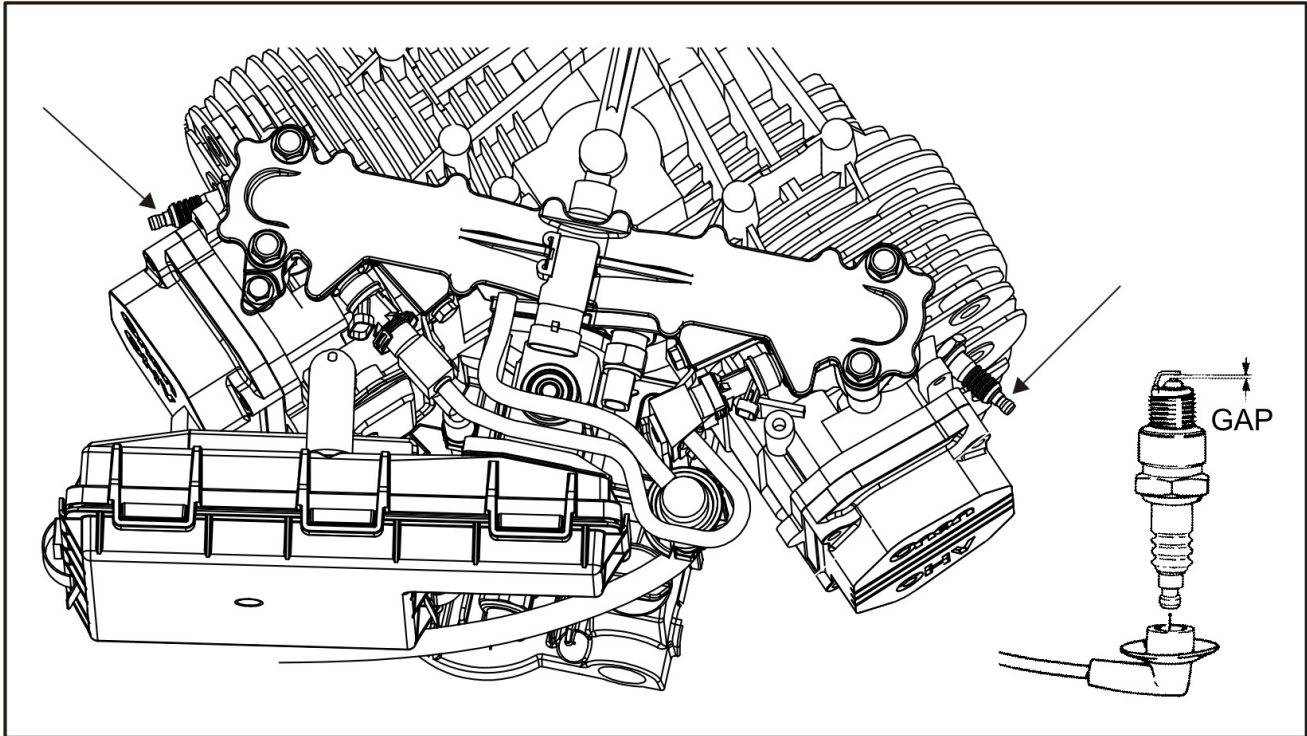


FIGURE 10. SPARK PLUG(S)

5.11 Cleaning the Spark Arrester

⚠ WARNING

A hot muffler can cause severe burns. Let the muffler cool down before removing or installing spark arrester cleanout plugs or screens.

⚠ WARNING

Grass or brush in contact with the exhaust system can cause fire. Do not park the vehicle in high grass or brush.

Refer to [Section 5.1 on page 31](#) for scheduled spark arrester muffler cleaning (meets U.S. Forest Service requirements). Cleaning is required for maximum generator set performance.

NOTICE

The muffler cleanout plug is in the muffler drum inside the generator set; it is not readily visible. The plug is accessible from below. Locate the plug by hand and then use a 7/16-inch 8-point socket, a 3-inch extension, a swivel section, a 6-inch extension, and a 3/8-inch drive socket wrench to remove it.

1. Remove the cleanout plug.
2. Start and load the generator set to near full power. Let the generator set run for about 5 minutes to expel the soot in the muffler.
3. Stop the generator set, allow the muffler to cool, and reinstall the plug.

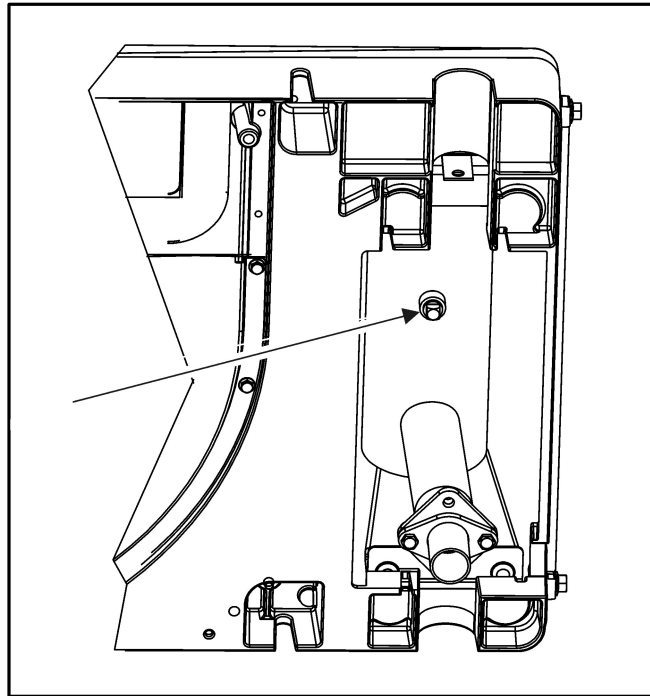


FIGURE 11. SPARK ARRESTER CLEANOUT PLUG

5.12 Storing the Generator Set

Proper storage is essential for preserving top generator set performance and reliability. If the generator set is not going to be exercised on a regular basis and not be used for more than 120 days, the generator set should be prepared for storage.

1. If the generator set is a gasoline model, perform the following steps.

⚠ WARNING

Gasoline preservatives (stabilizers) are toxic. Follow the instructions on the container. Avoid skin contact. Wash hands with soap and water after using.

- a. Fill the fuel tank with fresh fuel and add a fuel preservative (such as OnaFresh), following the instructions on the container label.

NOTICE

If a preservative (stabilizer) is not added to the gasoline, the gasoline in the fuel system deteriorates causing fuel system corrosion, gum formation, and varnish-like deposits which can lead to hard starting and rough operation.

- b. Run the generator set for about 30 minutes plus 2 minutes per foot of fuel line at approximately 1/2 rated power to fill the fuel lines with fresh fuel and preservative.
2. Change the engine oil and attach a tag indicating the oil grade viscosity.
3. Remove the air filter and restart the generator set. While the generator set is running, spray an engine fogger (such as OnaGard) into the carburetor, following the instructions on the container label.

NOTICE

The engine fogger leaves a protective coat of oil on the internal surfaces of the engine.

4. Stop the generator set.
5. Disconnect all appliances.
6. Disconnect the battery cables, negative (–) cable first, from the starting battery and store the battery according to the battery manufacturer's recommendations.
7. Cap the exhaust tail pipe to keep out dirt, moisture, rodents, and other foreign materials.
8. Close the fuel supply valve (if so equipped).
9. Position the line circuit breaker to OFF.

⚠ WARNING

LPG leaks can lead to explosive accumulation in pits, sumps, or other below-grade locations. Comply with all local ordinances regarding the garaging of vehicles with LPG engine fuel systems.

10. If the generator set is an LPG model, check the local ordinances if the vehicle is going to be garaged. Generally, ordinances require that the LPG system be leak-free, that the LPG container not be filled beyond specified limits, that the container shutoff valve be closed, and that the vehicle not be parked near sources of heat or ignition.

⚠ WARNING

Do not open the carburetor drain when the engine is hot. Close the drain immediately after draining. Failure to heed this warning can lead to fire resulting in severe personal injury or death.

11. If the generator set is a gasoline model, perform the following steps to drain the carburetor float bowl.

NOTICE

Draining the float bowl prevents deposits of gum from clogging the tiny passages in the carburetor because the gasoline in the bowl evaporates during storage.

- a. Let the engine cool down thoroughly.
- b. Place paper towels under the drain to absorb all of the drainage (less than 1/2 cup).

⚠ WARNING

Opening the carburetor drain when the engine is hot can lead to fire resulting in severe personal injury or death. Do not open the drain when the engine is hot. Close the drain immediately after draining.

- c. Open the drain valve by turning counter-clockwise with a screwdriver.
- d. When draining is done, close the drain valve, turning clockwise with a screwdriver until just snug.

5.12.1 Carburetor Float Bowl Drain Valve

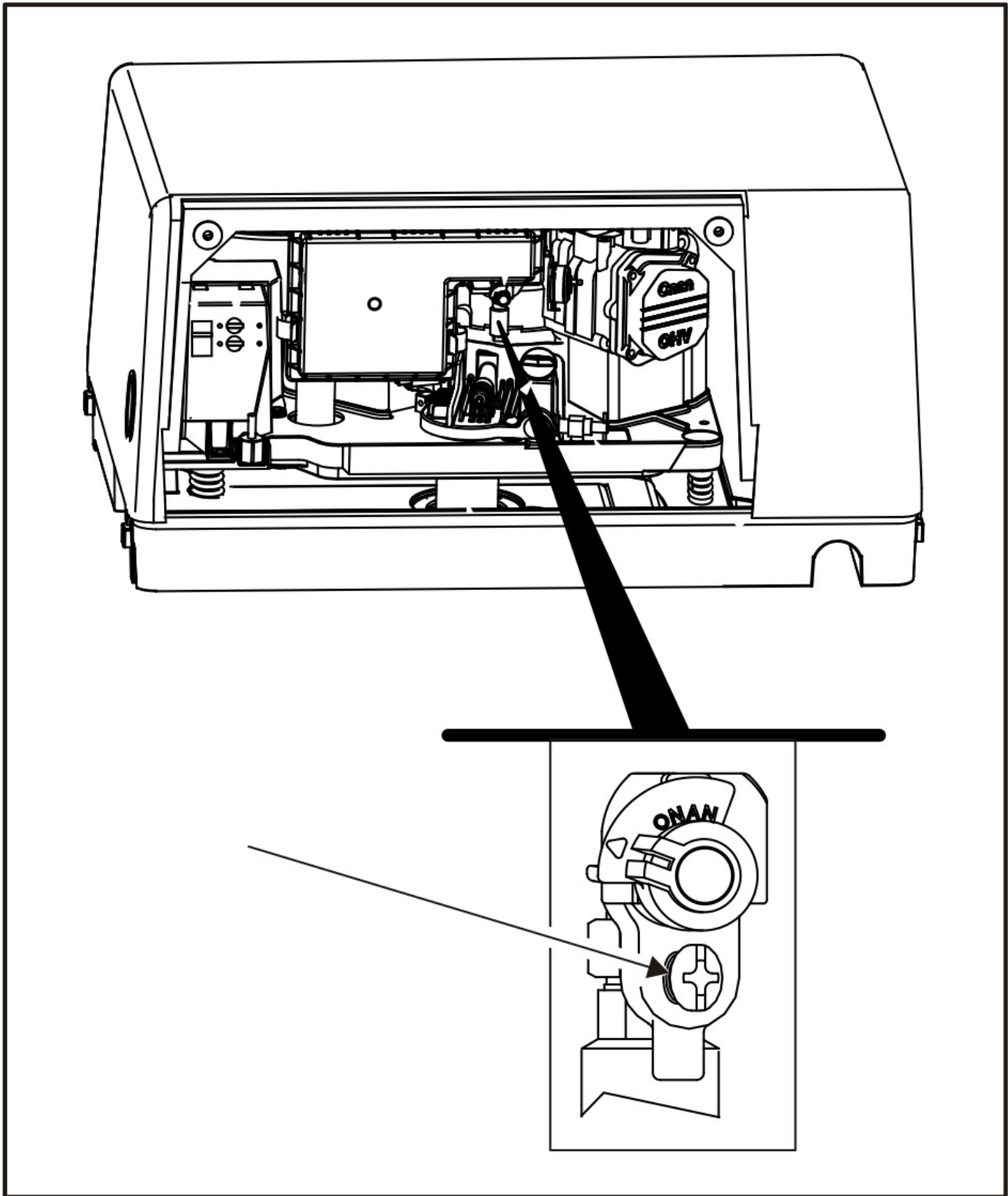


FIGURE 12. CARBURETOR FLOAT BOWL DRAIN VALVE

5.13 Returning the Generator Set to Service

1. Verify that the oil viscosity is appropriate for expected temperatures (see [Maintaining the Lubrication System](#)) and change the oil if the viscosity is not appropriate for the temperatures expected.
2. Reconnect the starting battery (negative [-] cable last).
3. Inspect the air filter element. Use a new air filter element if it is dirty.
4. Inspect the generator set.
5. If the generator set is a gasoline or diesel model, prime the generator set fuel system by positioning the control switch to **STOP/PRIME** for 30 seconds. The status indicator stays on while the pump is on.
6. Start the generator set. There may be smoke and rough operation for a few minutes until the oil from the fogger burns off. If the engine does not start, clean or replace the spark plug, which may have been fouled by the fogger.
7. Position the line circuit breaker to ON when the generator set is ready to power loads.

6 Troubleshooting

6.1 Overview

WARNING

Hot engine parts can cause severe burns. Always allow the engine to cool down before performing any maintenance or service.

The following paragraphs provide fault code faults and symptom-based faults. If a problem is not resolved after taking the corrective actions suggested, contact a local dealer or distributor. See [Section 2.4 on page 10](#).

NOTICE

Maintaining engine oil level, keeping battery connections clean and tight, watching the fuel gauge, not overloading the generator set, etc. will prevent most shutdowns.

NOTICE

When the generator set and vehicle engine share a common fuel tank, the fuel dip tubes are usually arranged so that the generator set will run out of fuel first. Marking the generator set empty point on the fuel gauge will make it easier to tell when to stop the generator set before running it out of fuel.

6.2 Fault Codes

The generator set control contains extensive diagnostics to detect shutdown faults. Following a fault shutdown, the control indicates the fault code by flashing the numeric code on the status indicator in the control switch.

Determine the fault code as follows:

- 3 flashes indicates a service fault (Code 3 fault).
 1. Press **STOP/PRIME** on the control switch once to have the 2-digit service fault code flash.

The 2-digit code consists of two sets of flashes. The first set is of flashes represents the 10s digit of the code. After a brief pause, the second digit of the code flashes representing the unit digit of the code. This is followed by a long pause before repeating the flashing of the fault code.

For example, Fault Code 36 appears as: blink-blink-blink—pause—blink-blink-blink-blink-blink-blink—long pause—repeat
 2. Press **STOP/PRIME** to stop flashing the fault code.
- 4 flashes indicates that cranking exceeded 30 seconds without the engine starting (Code 4 fault).

NOTICE

Fault codes 33 and 34 are not assigned as fault codes. Be careful of interpreting Fault Codes 3 and 4 as second-level faults.

The fault code stops flashing after 5 minutes. Pressing **STOP/PRIME** 3 times within 5 seconds causes the fault code to resume flashing.

NOTICE

The last fault logged continues to flash even though the condition that caused the shutdown has been corrected.

6.2.1 Code 2 - Low Oil Pressure

Indicates that the low oil pressure cutoff switch did not open.

A. Check Engine Oil Level

1. If the dipstick indicates oil is low, add oil.
2. If oil is above the full mark on dipstick, drain excess oil.

6.2.2 Code 3 - Service Check

See second-level fault code.

6.2.3 Code 4 - Over Crank

Indicates that cranking exceeded 30 seconds without engine starting.

A. Check Fuel Level

1. If fuel level is low, fill the fuel tank.

NOTICE

The generator set fuel pickup tube could be higher up in the fuel tank than the vehicle engine pickup.

2. Prime the engine fuel system by positioning the control switch to **STOP/PRIME** for 30 seconds.

B. Check LPG Level

Check and fill the LPG container, as necessary.

NOTICE

On cold days, the LPG container may have to be kept at least half full to provide the rate of vaporization necessary to keep up with the generator set fuel demand.

C. Check Spark Plug(s)

1. Secure the spark plug lead(s) on the spark plug(s).
2. Replace the spark plug(s).

D. Check Air Filter Element

Replace the air filter if dirty.

E. Replace Engine Oil

Replace engine oil with oil of proper viscosity for the ambient temperature.

| |
|---------------|
| NOTICE |
|---------------|

| |
|---|
| High oil viscosity can slow down cranking speed. |
|---|

F. Check Fuel Fittings

1. Tighten any fuel fitting if there is a fuel or air leak.
2. Reprime the engine fuel system by positioning the control switch to **STOP/PRIME** for 30 seconds.

G. Replace Fuel Filter

6.2.4 Code 12 - Over Voltage

Indicates the control is unable to maintain rated voltage.

A. Contact Local Dealer or Distributor

6.2.5 Code 13 - Under Voltage

Indicates the control is unable to maintain rated voltage.

A. Reduce Load

Reduce the number of connected appliances, especially air conditioners and battery chargers. (Review load management in Loading the Generator Set.)

6.2.6 Code 14 - Over Frequency

Indicates the engine governor is unable to maintain rated frequency.

A. Contact Local Dealer or Distributor

6.2.7 Code 15 - Under Frequency

Indicates the engine governor is unable to maintain rated frequency.

A. Reduce Load

Reduce the number of connected appliances, especially air conditioners and battery chargers. (Review load management in Loading the Generator Set.)

6.2.8 Code 19 - Governor Actuator

Indicates the control sensed an open or shorted circuit.

A. Contact Local Dealer or Distributor**6.2.9 Code 22 - Governor Actuator Overload**

Indicates the duration of operation is near full-duty cycle beyond design limit.

A. Reduce Load

Reduce the number of connected appliances, especially air conditioners and battery chargers. (Review load management in Loading the Generator Set.)

B. Check Air Filter Element

Replace the air filter if dirty.

C. Check Exhaust System

If exhaust system is blocked, remove blockage.

6.2.10 Code 23 - Low Oil Pressure Cutoff Switch

Indicates the control sensed that switch is still open during start (not a running start).

A. Contact Local Dealer or Distributor**6.2.11 Code 27 - Voltage Sense**

Indicates the control is unable to sense output voltage.

A. Contact Local Dealer or Distributor**6.2.12 Code 29 - High Battery Voltage**

Indicates that voltage across the battery system is greater than 19 Volts.

A. Check Battery

1. Check battery bank connections and reconnect if necessary so that the 12 Volt batteries serving the generator set are connected in parallel (12 Volt) rather than in series (24 Volt).
2. Select a lower battery boost charge rate.

6.2.13 Code 31 - Over Speed

Indicates that engine speed is greater than 3400 RPM.

A. Contact Local Dealer or Distributor**6.2.14 Code 32 - Low Cranking Speed**

Indicates that cranking speed is less than 180 RPM for more than 2 seconds.

A. Check Battery

1. Clean and tighten the positive (+) and negative (-) battery cable connections at the battery and at the generator set.

2. Recharge or replace the battery. Refer to the battery manufacturer's recommendations.

B. Replace Engine Oil

Replace engine oil with oil of proper viscosity for the ambient temperature.

NOTICE

High oil viscosity can slow down cranking speed.

6.2.15 Code 35 - Control Card Failure

Indicates that a microprocessor EEPROM error occurred during self test.

A. Contact Local Dealer or Distributor

6.2.16 Code 36 - Engine Stopped

Indicates that the engine stopped without receiving a command from the control.

A. Check Fuel Level

1. If fuel level is low, fill the fuel tank.

NOTICE

The generator set fuel pickup tube could be higher up in the fuel tank than the vehicle engine pickup.

2. Prime the engine fuel system by positioning the control switch to **STOP/PRIME** for 30 seconds.

B. Check LPG Level

Check and fill the LPG container, as necessary.

NOTICE

On cold days, the LPG container may have to be kept at least half full to provide the rate of vaporization necessary to keep up with the generator set fuel demand.

C. Check Spark Plug(s)

1. Secure the spark plug lead(s) on the spark plug(s).
2. Replace the spark plug(s).

D. Check Air Filter Element

Replace the air filter if dirty.

E. Check for Mechanical Damage

6.2.17 Code 37 - Invalid Generator Set Configuration

Indicates that the frequency/RPM ratio is wrong.

A. Contact Local Dealer or Distributor

6.2.18 Code 38 - Over Current (Field Overload)

Indicates low power factor loads.

A. Reduce Load

Reduce the number of connected appliances, especially air conditioners and battery chargers. (Review load management in Loading the Generator Set.)

B. Check Appliances for Proper Operation

Have air conditioners and other appliances checked for proper operation.

6.2.19 Code 41 - Generator Rotor

Indicates control is unable to sense field or output voltage.

A. Contact Local Dealer or Distributor

6.2.20 Code 42 - Processor

Indicates that a microprocessor ROM error occurred during self test.

A. Contact Local Dealer or Distributor

6.2.21 Code 43 - Processor

Indicates that a microprocessor RAM error occurred during self test.

A. Contact Local Dealer or Distributor

6.2.22 Code 45 - Speed Sense

Indicates the control is unable to sense quadrature frequency.

A. Contact Local Dealer or Distributor

6.2.23 Code 47 - Ignition

Indicates the control is unable to sense ignition.

A. Contact Local Dealer or Distributor

6.2.24 Code 48 - Generator Field Sense

Indicates the control is unable to sense field voltage.

A. Contact Local Dealer or Distributor**6.2.25 Code 51 - Processor**

Indicates that a microprocessor malfunction has occurred.

A. Contact Local Dealer or Distributor**6.2.26 Code 52 - Fuel Injector**

Indicates that there is an open or short circuit in the fuel injector.

A. Contact Local Dealer or Distributor**6.2.27 Code 54 - MAT Sender**

Indicates that there is an open or short circuit in the MAT sender.

A. Contact Local Dealer or Distributor**6.2.28 Code 56 - MAP Sender**

Indicates that there is an open or short circuit in the MAP sender.

A. Contact Local Dealer or Distributor**6.2.29 Code 57 - Over Prime**

Indicates that priming exceeded 3 minutes.

A. Check Control Switch

Check for and remove any object that may be holding either control switch (remote or generator set) in the **STOP/PRIME** position.

6.2.30 Code 58 - Exhaust Gas Temperature Shutdown

Indicates that the exhaust gas temperature reached 650 °C (1202 °F) for 2 seconds when the generator set was running.

A. Contact Local Dealer or Distributor**6.2.31 Code 81 - Exhaust Gas Temperature Sensor Open**

Indicates that the EGT temperature fell below 60 °C (140 °F) for 2 minutes when the generator set was running or the EGT temperature is not above 60 °C (140 °F) within 2 minutes of starting.

A. Contact Local Dealer or Distributor**6.2.32 Code 82 - Exhaust Gas Temperature Sensor Shorted**

Indicates that the control reads 1000 °C (1832 °F) for 1 second when the generator set was running or during startup.

A. Contact Local Dealer or Distributor**6.3 Symptom Based**

Diagnosis of some problems involves observing system operation.

6.3.1 Status Indicator Not Working

Indicates that there could be faulty connections or no battery voltage.

A. Check Other Control Switch

Try the generator set control switch if the remote control switch start doesn't work, and vice versa.

B. Check Battery

1. Clean and tighten the positive (+) and negative (-) battery cable connections at the battery and at the generator set.
2. Recharge or replace the battery. Refer to the battery manufacturer's recommendations.

6.3.2 Starting Batteries Run Down

Indicates problem with batteries, connections, charging system, or parasitic loads.

A. Check Battery

1. Clean and tighten the positive (+) and negative (-) battery cable connections at the battery and at the generator set.
2. Recharge or replace the battery. Refer to the battery manufacturer's recommendations.

B. Battery Charging System

Install or service a battery charging system in the vehicle.

6.3.3 Starter Engages-Disengages

Indicates cranking voltage dips below 6 Volts.

A. Use Vehicle to Start Generator Set

Run the vehicle propulsion engine while trying to start the generator set—the battery charging alternator may be able to maintain starting voltage high enough to start the generator set.

B. Check Battery

1. Clean and tighten the positive (+) and negative (-) battery cable connections at the battery and at the generator set.
2. Recharge or replace the battery. Refer to the battery manufacturer's recommendations.

C. Change Battery Cables

Increase battery cable size or run parallel cables.

6.3.4 No Power—Generator Set Running, Status Light On

Indicates line circuit breaker is **OFF**, or tripped due to short circuit or overload.

A. Check Line Circuit Breakers

1. Turn on or reset the line circuit breaker on the generator set.
2. Turn on or reset the line circuit breaker on the main distribution panel in the vehicle.

This page is intentionally blank.

This page is intentionally blank.

power.cummins.com

Copyright © 2016 Cummins Inc. All rights reserved.

Cummins, Onan, the "C" logo, and "Performance you rely on." are trademarks of Cummins Inc.

Other company, product, or service names may be trademarks or service marks of others.

Specifications are subject to change without notice.

