



PURE. RELIABLE. POWER.



CONTRACTOR GRADE. EPA FINAL TIER 4. ALWAYS CLEAN,
EVEN AT ITS DIRTIEST. THE YDG-W, BY **YANMAR**.

SPECIFICATIONS

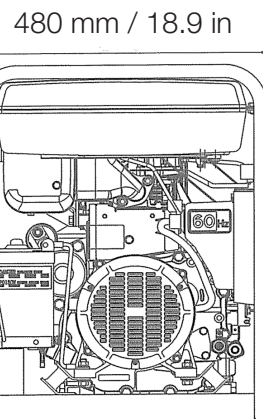
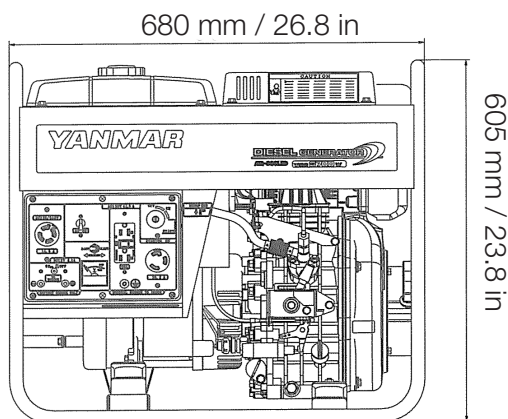
		YDG3700W-6EI	YDG5500W-6EI
Generator	Type	Revolving field type 2 pole generator	
	Frequency	Hz	60
	Max. AC output	kVA	3.7
	Cont. AC output	kVA	3.5
	Related Power Factor	%	100
	Phase	Single Phase	
	Excitation system	Self-excitation	
	DC output (generator & charger)	V-A	12-8.3
	Voltage	V	120/240
	Engine	Model	L70W6-GEY
Type		Vertical, 4-cycle, air-cooled diesel engine	
Displacement		cc	320
Cont. output		kW/min-1(rpm)	4.3/3600
Starting system		Recoil / Electric	
Combustion system		Direct injection	
Governor system		All speed by centrifugal weight	
Engine stop system		Fuel cut solenoid	
Charging system		V-A	Flywheel dynamo 12-15
Battery		V-Ah	12V-21Ah
Fuel oil		lit.	Diesel fuel oil
Fuel tank capacity		lit.	13
Lube oil capacity			1.1
Operation capacity (One tankful)* approx.		Hr.	8
Unit		Noise level at 7m (approx.)	dB(A)
	Dimensions L X W X H, Recoil	mm	680 X 480 X 605
	Dimensions L X W X H, Electric	mm	680 X 480 X 605
	Dry weight(kg)	(Recoil)	85
		(Electric)	113

STANDARD ACCESSORIES

Model	YDG3700W-6EI	YDG5500W-6EI
AC dual voltage	●	●
AC breaker	●	●
12V DC output	●	●
DC breaker	●	●
Voltage meter	Single	-
	Dual	●
Pilot lamp	-	-
Oil alert	●	●
Fuel gauge	●	●
Recoil start	●	●
Electric start	●	●
Tool set	●	●
Spark	●	●



YDG 3700



YDG 5500

