

WINGCO[®] GENERATORS



An American Company

We produce our products in our 200,000ft² facility located in Le Center, Minnesota, equipped with modern engineering, fabrication and assembly capabilities.



Full Load Tested

Every generator is 100% load tested



DSE 7310 Controller

Provides immediate performance information



Coolant Heater

120V in-line Hotstart coolant heater with thermostat



Battery Charger

5 Amp, smart marine charger standard



TÜV Certified

The design, construction, and performance of our stationary generators conform to UL2200 & CSA standards

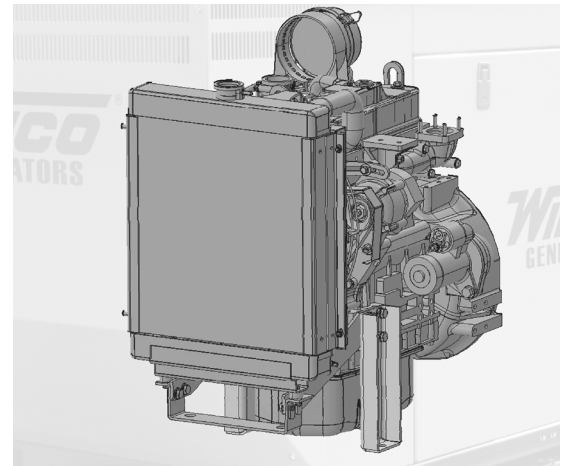


DR1214 12,500 WATTS

Rugged Design
Galvanealed steel enclosure with powder coat paint



Industrial Isuzu Engine



Cummins Industrial Genend.



SPECIFICATIONS

ELECTRICAL

VOLTS	POWER FACTOR	STANDBY			PRIME			CIRCUIT BREAKER
		WATTS	KVA	AMPS	WATTS	KVA	AMPS	
120/240 1-PH	1.0	12,500	12.5	52	11,250	11.25	46	60
120/208 3-PH	0.8	12,500	15.625	43	11,250	14.06	38	45
120/240 3-PH	0.8	12,500	15.625	37	11,250	14.06	33	45
277/480 3-PH	0.8	12,500	15.625	18	11,250	14.06	16	20
346/600 3-PH	0.8	12,500	15.625	15	11,250	14.06	13	20

ENGINE

ENGINE BRAND	ISUZU
ENGINE MODEL	3CE1
TIER	IV FINAL
ENGINE STARTER	12V ELECTRIC
ENGINE SPEED	1800 RPM
ENGINE CYLINDERS	3
ENGINE HP	21.1
FREQUENCY	60 HZ
ALTERNATOR	40 AMPS 12V
FLYWHEEL	7.5"
ROTATION	CCW
ASPIRATION	NATURAL
COOLANT	2.0 L
BORE/STROKE	85 mm x 90 mm
DISPLACEMENT	1.6 L
RECOMMENDED OIL ⁽²⁾	5W-30 SAE
OIL CAPACITY	7 QT
INJECTION PUMP	DISTRIBUTOR TYPE
GOVERNOR	MECHANICAL
COMPRESSION RATIO	20:1
FAN TYPE	PUSHER
INTAKE AIR CONSUMPTION	50.85 CFM
RADIATOR COOLING AIR	2200 CFM
EXHAUST FLOW	--
EXHAUST OUTLET SIZE	2.5"
STARTING AIDES	GLOW PLUGS
STARTING TEMP NATURAL W/ AIDES	0° F
STARTING TEMP W/BLOCK HEATER	-15° F

NOTES: (1) Steady state frequency regulation. (2) The recommended oil is for normal applications. See operator's manual for the recommended oil for your needs. (3) Battery not included.

DBA @ 7 METERS

FULL LOAD	74
-----------	----

DR12

MOTOR STARTING (CODE G)	2 HP
TOTAL HARMONIC DISTORTION	< 5%
FLOATING NEUTRAL	YES
FORK LIFT POCKETS	NO
ASSEMBLED IN	USA
EPA APPROVED	TIER IV FINAL
CARB APPROVED	TIER IV FINAL
TÜV CERTIFICATION	UL2200 CSA
UNIT WARRANTY ⁽¹⁾	
STANDBY	2 YEAR/2000 HRS
PRIME	1 YEAR/2000 HRS

NOTES: (1) For more generator warranty, see operator's manual.

GENERATOR END

WINDING	
SINGLE PHASE	4 LEAD
THREE PHASE	12 LEAD
WINDING NUMBER	
SINGLE PHASE	06
THREE PHASE	311
VOLTAGE REGULATION	AVR +/- 1%
AVR TYPE	AS540
TEMPERATURE RISE	125/40° C
BRUSHLESS	YES
SPEED	1800 RPM
ROTOR	2/3 PITCH
WINDINGS	100% COPPER
STATOR WINDING	DOUBLE LAYER CONCENTRIC
COUPLING	DIRECT/FLEXIBLE DISC
BEARINGS	SINGLE (MAINTENANCE FREE)
EFFICIENCY PEAK	
SINGLE PHASE 1.0 PF	82.9
THREE PHASE 0.8 PF	84.1
INSULATION	CLASS H
INGRESS PROTECTION	IP23

SPECIFICATIONS

BLOCK HEATER

VOLTS	120
WATTS	1,000
AMPS	8.4
THERMOSTAT	
ON	100° F
OFF	120° F

DERATES

ABOVE SEA LEVEL	
5,500 FT	20%
COOLANT TEMPERATURE	
>104°F	3% PER 10°F

FUEL

TYPE	ASTM D975 NO-2D DIESEL
FUEL CONSUMPTION	GAL/HR
100%	1.15
75%	0.96
50%	0.78
25%	0.58
OPTIONAL FUEL TANK	L x W x H
54 GAL COMPOSITE	63" x 34" x 10"
55 GAL UL142	63" x 34" x 13"
110 GAL UL142	63" x 34" x 23"
155 GAL UL142	63" x 34" x 33"

NOTES: (1) Tanks are double-walled, UL142 listed, except for the 54 gallon composite tank.

DSE 7310 CONTROLLER

ENGINE DISPLAY/PROTECTION

ENGINE RPM	YES
LOW OIL PRESSURE	YES
HIGH COOLANT TEMP	YES
LOW COOLANT	YES
OVER/UNDER SPEED	YES
OVER CRANK	YES
CAN ECU SHUTDOWN	YES
ENGINE MAINTENANCE CODES	YES

GENSET DISPLAY/PROTECTION

VOLTAGE (L-N & L-L)	YES
OVER/UNDER VOLTAGE	YES
FREQUENCY	YES
OVER/UNDER FREQUENCY	YES
AMP DISPLAY/SHUTDOWN	YES
PHASE IMBALANCE	FIELD ENABLED
KW, KVA, KVARH DISPLAY	YES
KWH, KVAH, KVARH DISPLAY	YES
GENERATOR PHASE SEQUENCE	OPTIONAL

BATTERY

DC SYSTEM	12V
BATTERY RACK/CABLE	INCLUDED
BATTERY CHARGER	5 AMP
REQUIRED BATTERY ⁽¹⁾	GROUP 24 600 CCA

NOTES: (1) Battery not included.

SHIPPING

SHIPPING DIMENSIONS (L x W x H)	75" x 34" x 45"
SHIP WEIGHT	1,790 LBS
FREIGHT CLASS	70

NOTES: Shipping dimensions are for an enclosed unit.

OPTIONAL ACCESSORIES

BATTERY
BATTERY CHARGER UPGRADE
BATTERY HEATER
RECEPTACLE PANEL
MIMIC PANEL
REMOTE MONITORING
NFPA LEVEL 1 UPGRADE
TRAILER W/ 54 GAL TANK

ADDITIONAL DISPLAYS/PROTECTIONS

EXTERNAL E-STOP	FIELD INSTALLED
BATTERY VOLTAGE	YES
BATTERY OVER/UNDER VOLTAGE	YES

COMMUNICATIONS

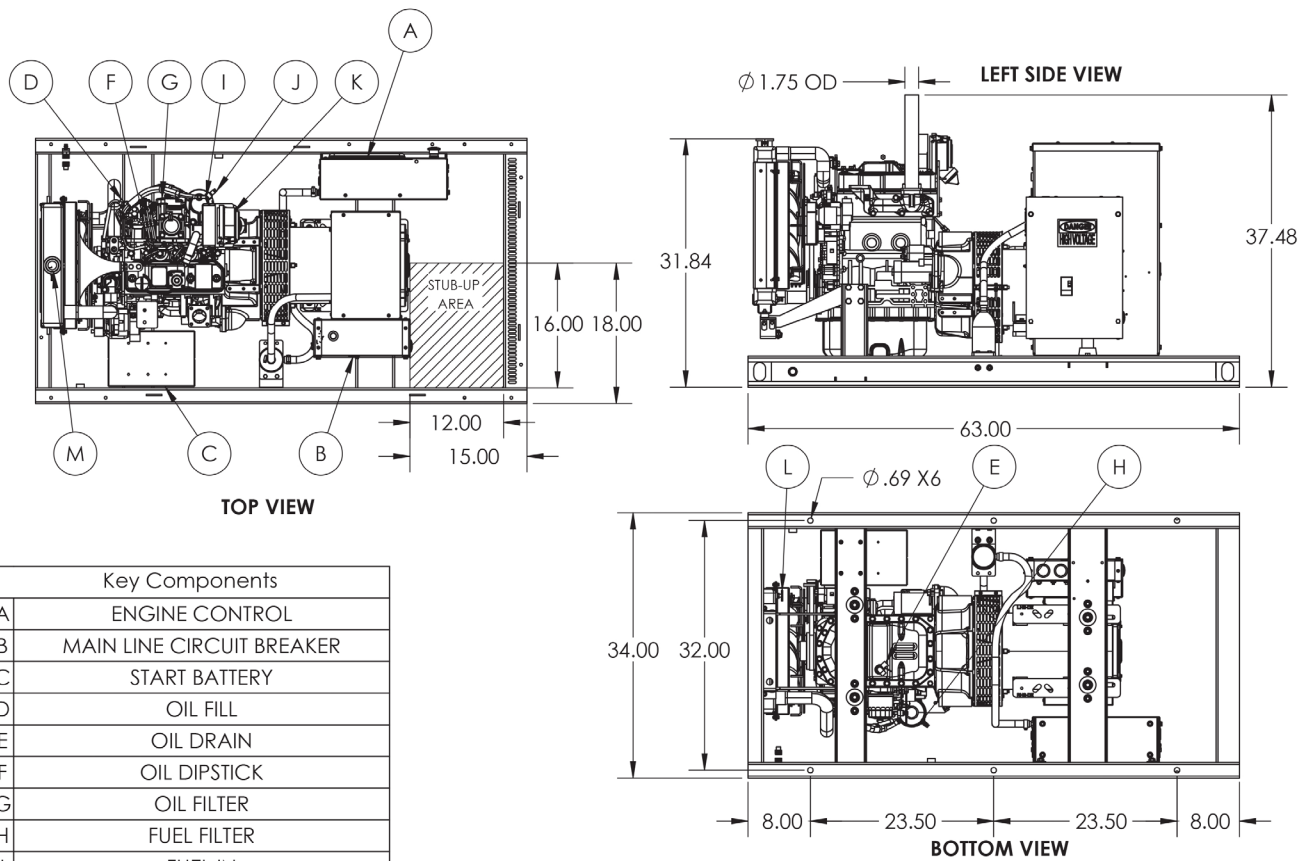
USB CONNECTABLE	YES
RS232/RS485	YES
REMOTE DISPLAY PANEL	OPTIONAL
DSE WEB NET	OPTIONAL

ADDITIONAL FEATURES

AUDIBLE ALARM	YES
ENGINE EXERCISER	DISABLED
MAINTENANCE INTERVAL TIMER	DISABLED
LOAD SHEDDING/DUMMY	DISABLED
CONFIGURABLE INPUTS	4 (EXPANDABLE)
CONFIGURABLE OUTPUTS	4 (EXPANDABLE)
EVENT LOG	250

DRAWINGS

OPEN SKID



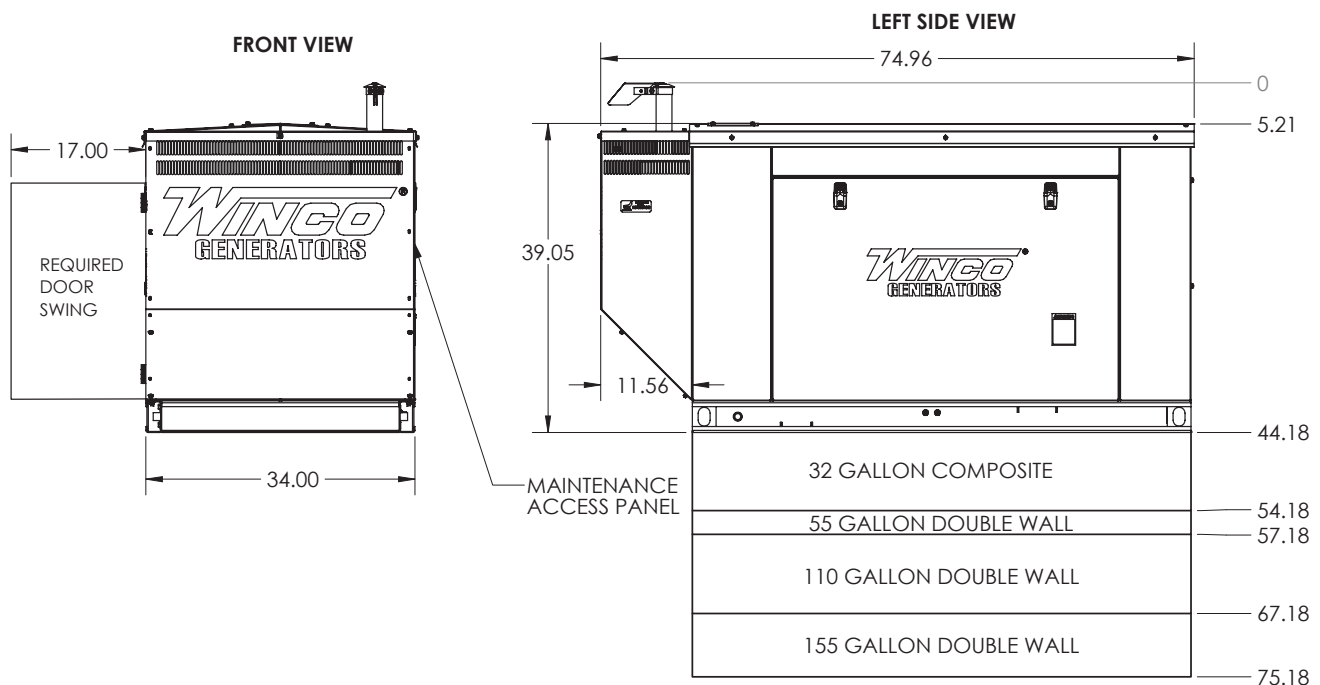
TOP VIEW

LEFT SIDE VIEW

BOTTOM VIEW

Key Components	
A	ENGINE CONTROL
B	MAIN LINE CIRCUIT BREAKER
C	START BATTERY
D	OIL FILL
E	OIL DRAIN
F	OIL DIPSTICK
G	OIL FILTER
H	FUEL FILTER
I	FUEL IN
J	FUEL RETURN
K	AIR FILTER
L	COOLANT DRAIN
M	COOLANT FILL

ENCLOSED



FRONT VIEW

LEFT SIDE VIEW

MAINTENANCE ACCESS PANEL

32 GALLON COMPOSITE

55 GALLON DOUBLE WALL

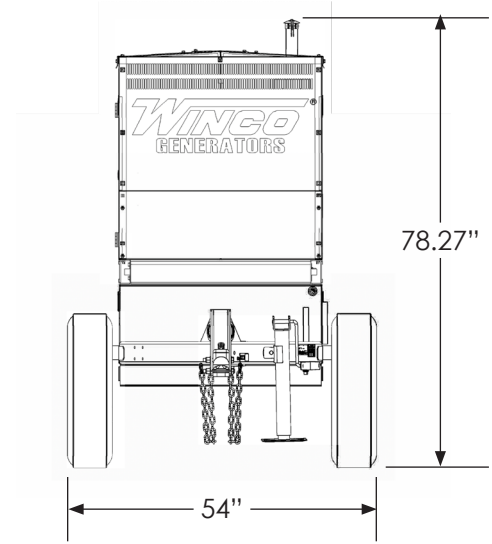
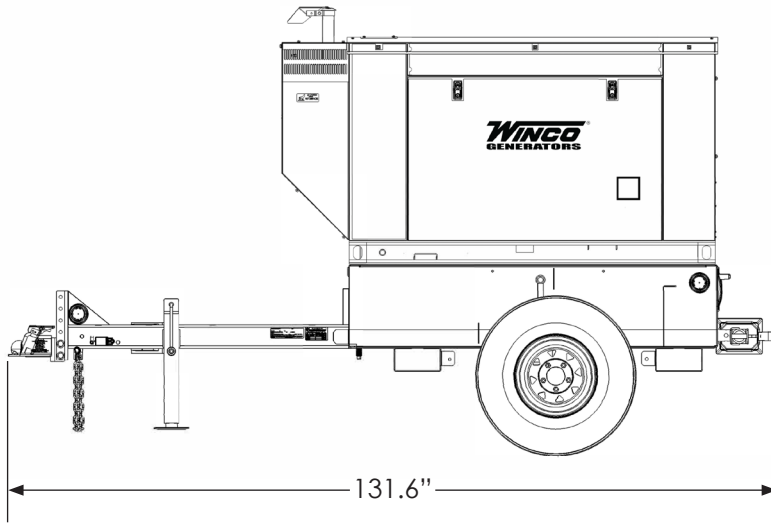
110 GALLON DOUBLE WALL

155 GALLON DOUBLE WALL



DRAWINGS

TRAILER



Specifications are subject to change without notice.

