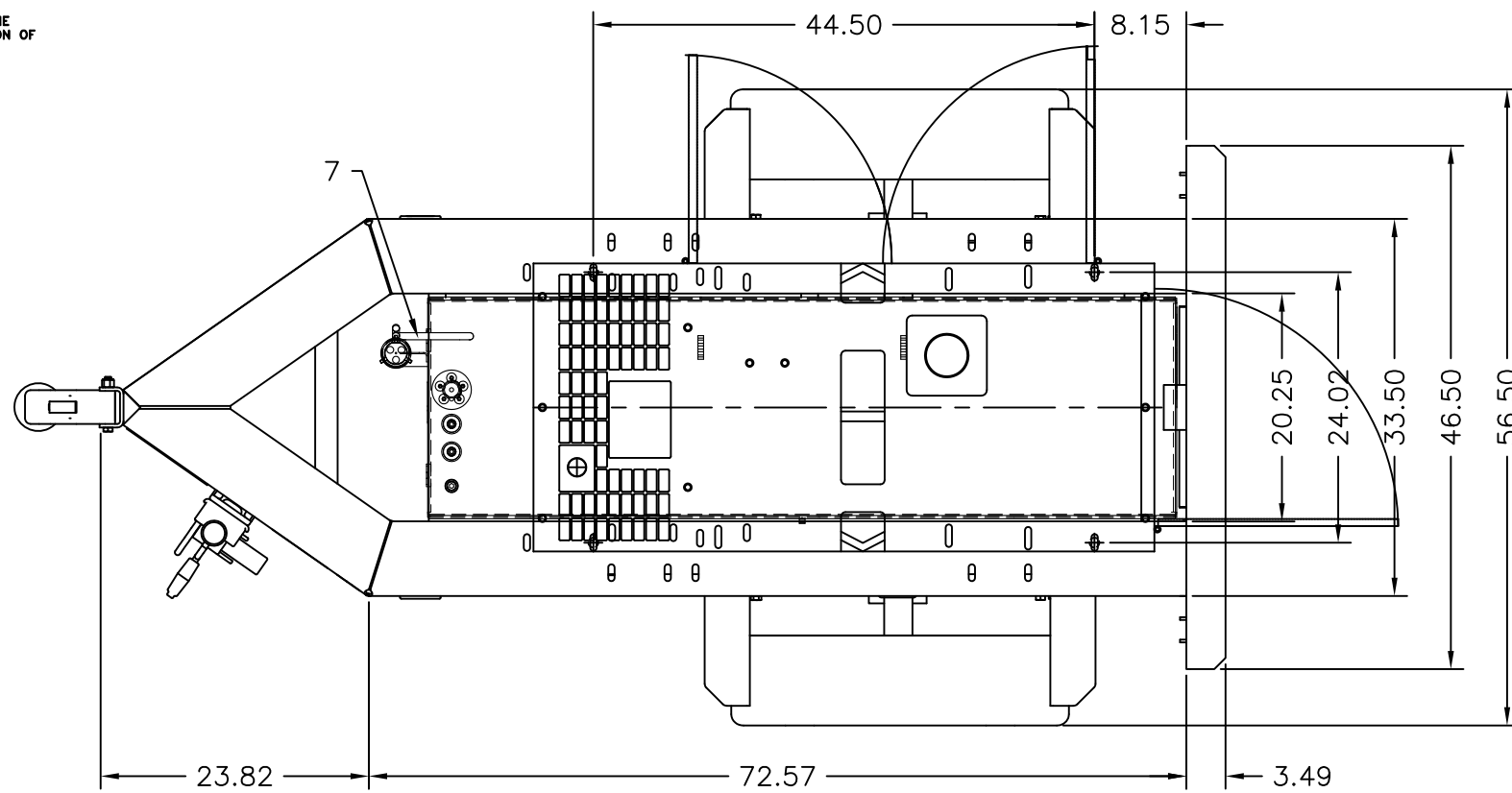
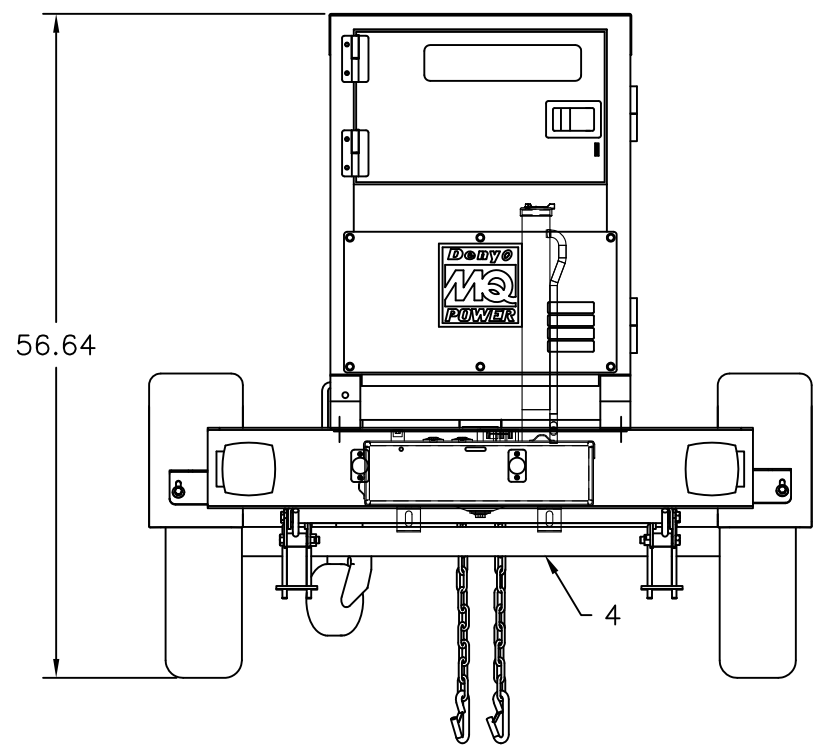
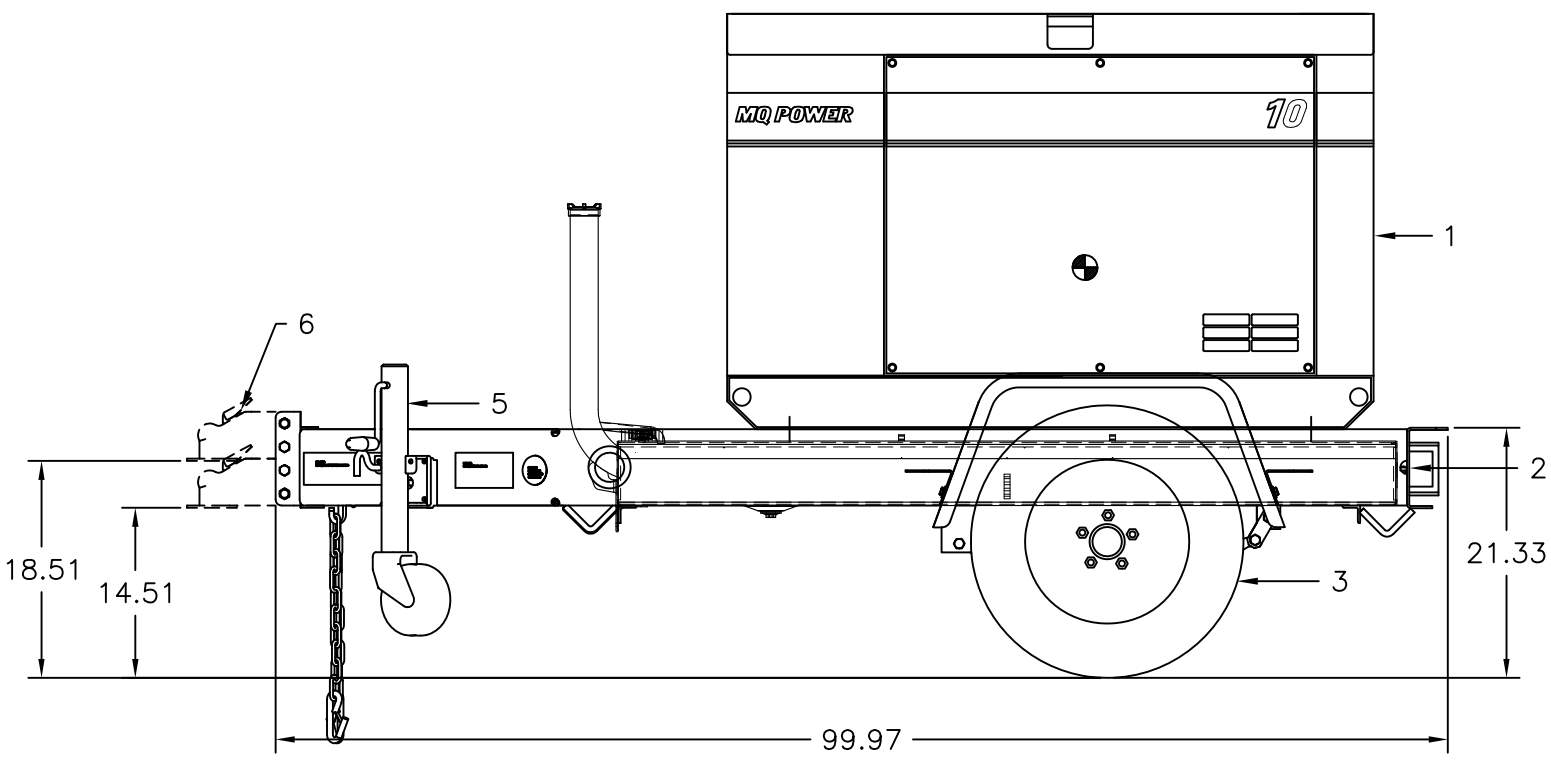


THIS DRAWING AND THE DATA DISCLOSED HEREIN OR HEREWITH IS CONFIDENTIAL AND PROPRIETARY AND IS NOT TO BE REPRODUCED, USED, OR DISCLOSED IN WHOLE OR IN PART TO ANYONE WITHOUT THE EXPRESSED WRITTEN PERMISSION OF MULTIQUIP COMPANY.

DWG. NO. 202101



| PART LISTS | | | | |
|------------|-------------|-----|---|---------------|
| ITEM | PART NUMBER | QTY | DESCRIPTION | MANUFACTURE |
| 1 | DCA10SPX4 | 1 | 10KVA GENSET 10SPX4 GENSET WEIGHT (APPROX.): 1,107lbs | DENYO |
| 2 | TRLRMP-XF | 1 | TRAILER (MODEL:TRLRMP-XF) TRAILER WT. ONLY: 403lbs G.V.W.R.: 2,760lbs TONGUE WT.: OVERALL DIMENSION: 100L X 57W X 57H | WHITEMAN |
| 3 | EE45318 | 2 | TIRE: ST175/80-13C WHEEL: 13 X 4.5 | TASKMASTER |
| 4 | | 1 | AXLE: 2000lbs, NO BRAKING MECHANISM | |
| 5 | | 1 | JACK, 2K | |
| 6 | | 1 | 2" BALL CLASS | |
| 7 | | 1 | FUEL TANK CAPACITY: 28GAL. | TRANSFER FLOW |



| | | | | | | |
|--|----------|----------------------|-----------|---|--|-----------------------------|
| UNLESS OTHERWISE SPECIFIED DIMENSIONS ARE IN INCHES TOLERANCES ARE : | | CUSTOMER | | MQ POWER TEL: (310) 537-3700/FAX: (310) 632-2656 18910 WILMINGTON AVENUE CARSON, CA 90746 | | |
| FRACTIONS | DECIMALS | ANGLES | JOB NO. | | | |
| ± | .XX ± | ± | | | | |
| | .XXX ± | | | | | |
| DERIVED FROM | | MATERIAL | APPROVALS | DATE | DCA10SPX4 GENSET MTD ON TRLRMP-XF TRAILER | |
| REV | DATE | FINISH | J. TRAN | 7/17/15 | | |
| CAD CODE 202101 | | DO NOT SCALE DRAWING | CHECKED | | SIZE D | FSCM NO. 202101 |
| | | | SALESMAN | | SCALE 1/8 | DWG. NO. 202101 SHEET 1 / 1 |

DWG. NO. 202101