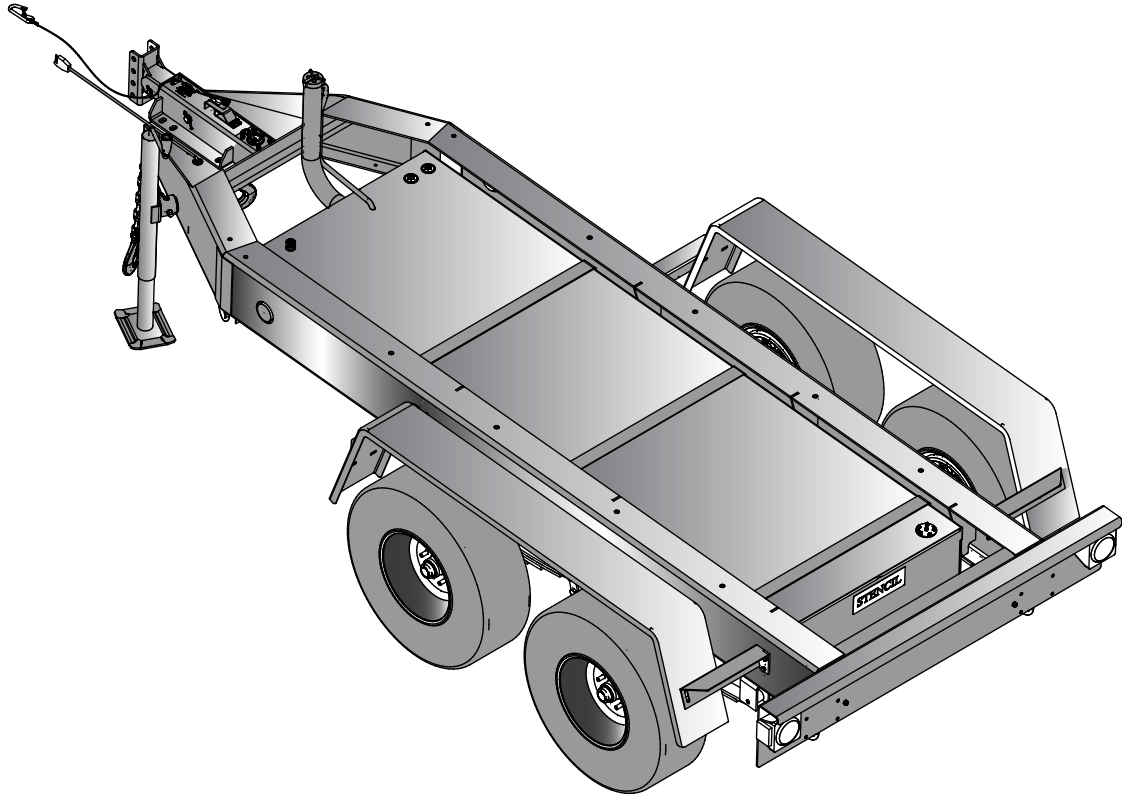




TRLR75XF2

MQ POWER Tandem Axle Trailer



TRLR75XF2 Technical Data

Gross Vehicle Weight Rating (GVWR) — 7,000 lbs (3,175 kg)	Tire Size — ST205/75D15 LR-C
Gross Axle Weight Rating (GAWR) — 3,500 lbs (1,588 kg) (ea.)	Wheel Bolt Pattern — 5 Lug on 4.5 in
Actuator Rating — 8,000 lbs (3,629 kg)	Tire Load Rating — 1,820 lbs/826 kg (ea.)
Coupler Rating — See coupler options on back page	Dimensions (LxWxH) — See back page

STANDARD TRAILER EQUIPMENT

- Fits MQ Power Generator Models DCA70SSIU4F, DCA70SSJU4F
- Tandem-axle Design with Spring Type Suspension
- H.D. Welded Steel Frame Construction
- Formed Channel for Generator Mounting and Support
- Integral Fuel Cell; Single-wall Steel Design, 100 Gallon Capacity
- Replaceable, Bolt-on Hydraulic Brake Actuator
- Surge Hydraulic-actuated Drum Brakes (all axles)
- Hydraulic Uni-servo Drum Brakes with Free-backing Plates-10-inch Cluster
- D.O.T. Steel Brake Lines, Brass Tees & Rubber Hydraulic Brake Hoses
- 4-hole Channel Allows 3-position, Adjustable Coupler Height; 4-inches O/A
- Tongue Mounted Swivel Jack with Flat Disc-foot (rated 3,000 pound lift)
- Replaceable Bolt-on Steel Fenders
- Rugged Textured Black Powder-Coated Frame, Channel, Actuator and Fenders
- D.O.T. Approved Tail Lamps, Stop Lamps, Turn Signal Lamps, Side Marker Lamps
- Weatherproof Trailer Light Wiring Harness


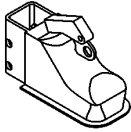
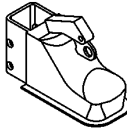


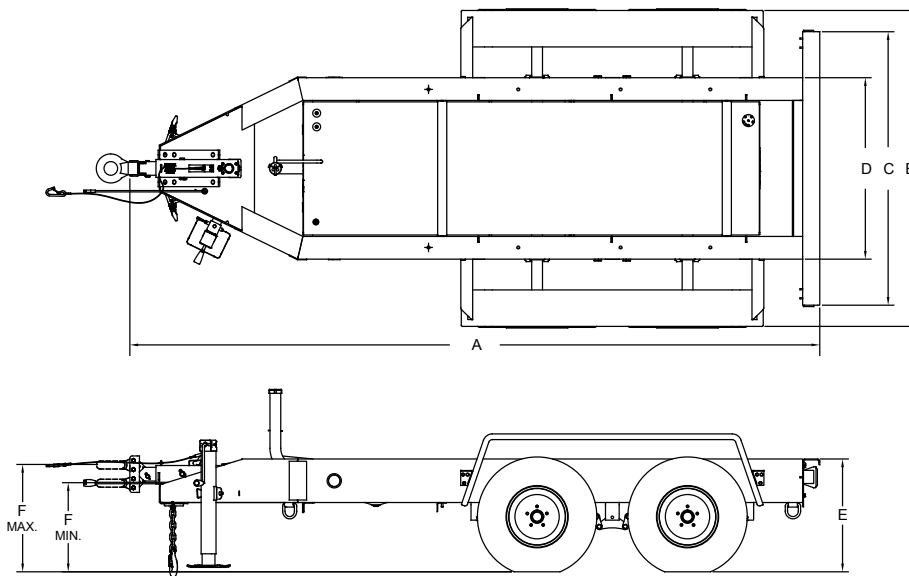
TRLR75XF2

MQ POWER Tandem Axle Trailer

OPTIONAL TRAILER EQUIPMENT

- Bolt-on Electric Brake Coupler Plate with Electric-actuated Drum brakes (all axles)
- Electric Breakaway Safety Device (electric-actuated brakes)
- Adjustable 2-inch Ball Coupler
- Adjustable 2 5/16-inch Ball Coupler
- Adjustable 3-inch Pintle-eye Coupler
- Rear Stabilizer Stands or Swivel Jacks
- Side-Mounted Utility Storage Box
- Anti-Theft Wheel Lock
- Spare Tire with Locking Mount

Coupler Options	
3" Pintle Eye 20,000 lbs. #EE36264	
2" Ball Coupler 10,000 lbs. #EE43254	
2-5/16" Ball Coupler 14,000 lbs. #EE43253	



Trailer Dimensions						
A	B	C	D	E	F	
					Min	Max
151.3 in (3843 mm)	69.3 in (1760 mm)	60 in (1524 mm)	39.8 in (1011 mm)	24.8 in (630 mm)	19.6 in (498 mm)	23.6 in (599 mm)

Trailer Weight	
Without fuel	With fuel
1,366 lbs. (619.6 kg)	2,077 lbs. (942 kg)

Your MultiQuip dealer is:

