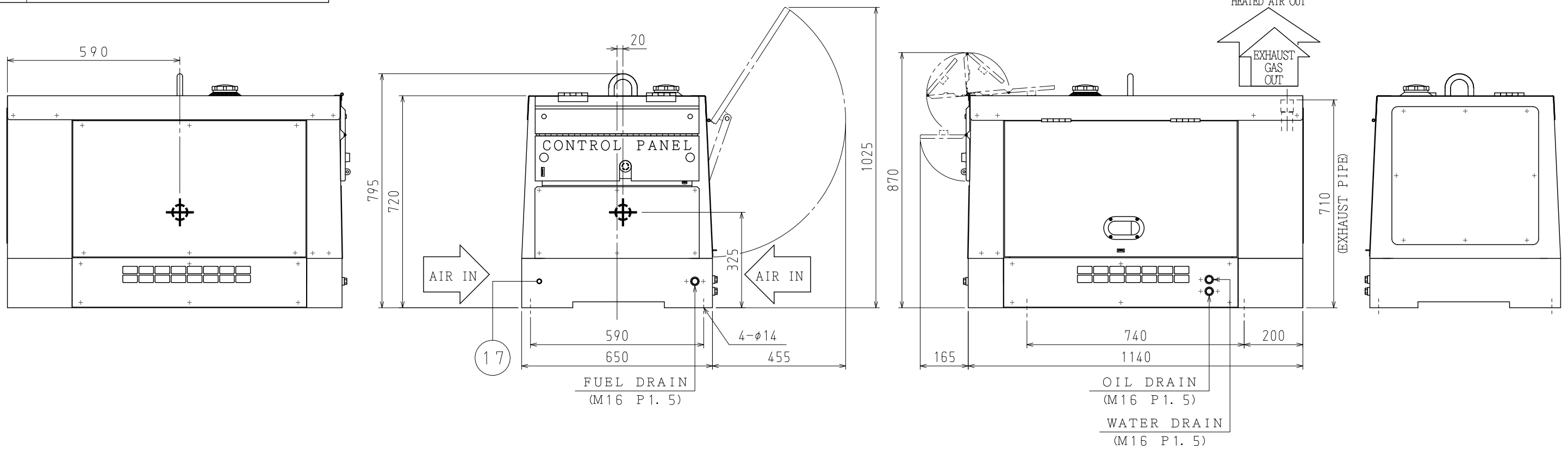
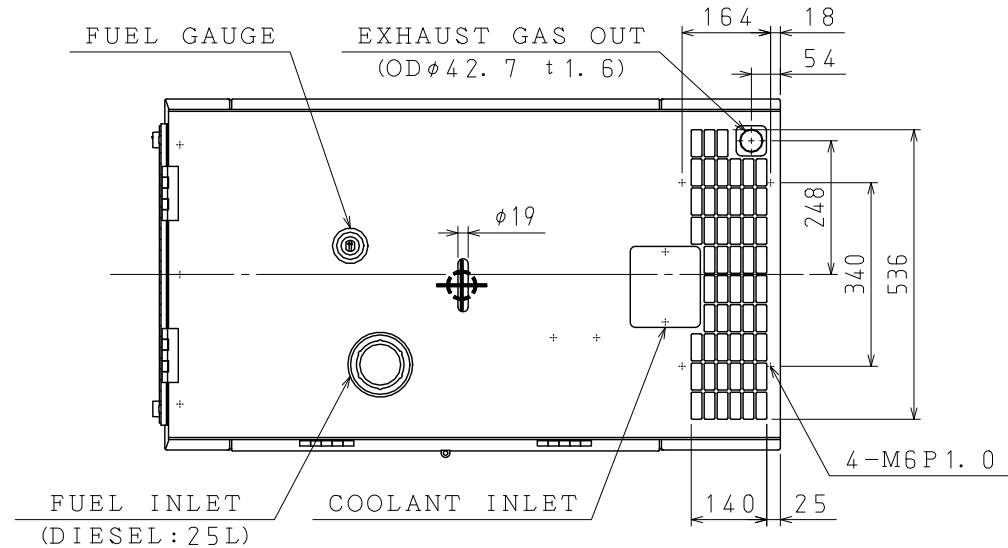
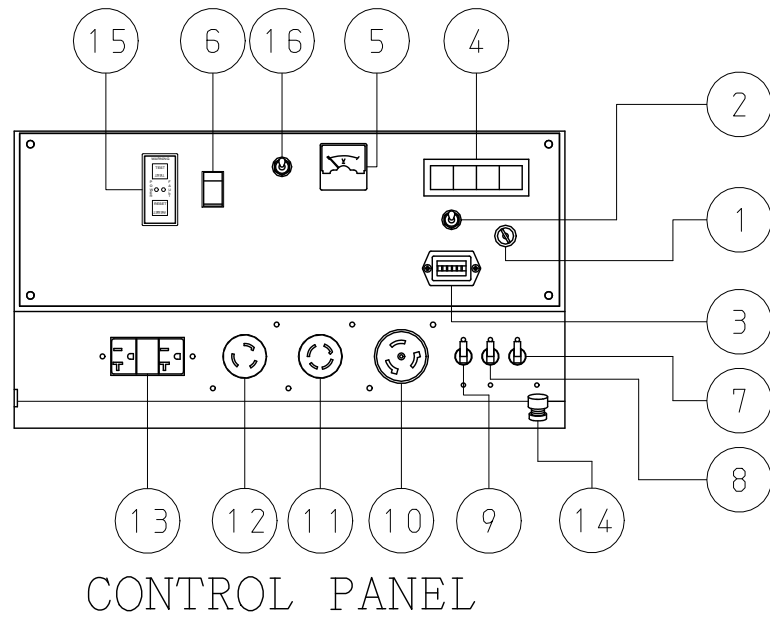


No.	PARTS NAME
1	STARTER SWITCH
2	IDLE CONTROL SWITCH
3	HOUR METER
4	WARNING LAMP UNIT (OIL, WATER, CHARGE, PREHEAT)
5	AC VOLTMETER
6	CIRCUIT BREAKER (FOR MAIN)
7	CIRCUIT PROTECTOR (FOR 120/240V, 30A)
8	CIRCUIT PROTECTOR (FOR 120V, 30A)
9	CIRCUIT PROTECTOR (FOR 120V, 20A)
10	RECEPTACLE (120/240V, 50A, CS6369)
11	RECEPTACLE (120/240V, 30A, L14-30R)
12	RECEPTACLE (120V, 30A, L5-30R)
13	RECEPTACLE (120V, 20A, 5-20R)
14	GROUND TERMINAL (FOR GFCI)
15	GFCI SENSING MODULE
16	FULL POWER SWITCH
17	GROUND TERMINAL (FOR BONNET)



ENGINE : KUBOTA Z482
 GENERATOR : DA-7000SS
 DRY WEIGHT : 242 kg
 TOTAL WEIGHT : 271 kg
 FUEL TANK : 25L
 BATTERY : 38B20R \times 1 OR 38B19R \times 1
 \oplus : CENTER OF GRAVITY

APPROVED	CHECKED	DESIGNED	MODEL
F. HIRASAWA	M. TANAKA	A. NIWATANI	DA-7000SSA3
DATE	2017. 04. 03	SCALE	DRAWING NAME
		1:14	外形図
			OUTLINE DRAWING
			DRAWING No.
			A58043 03313